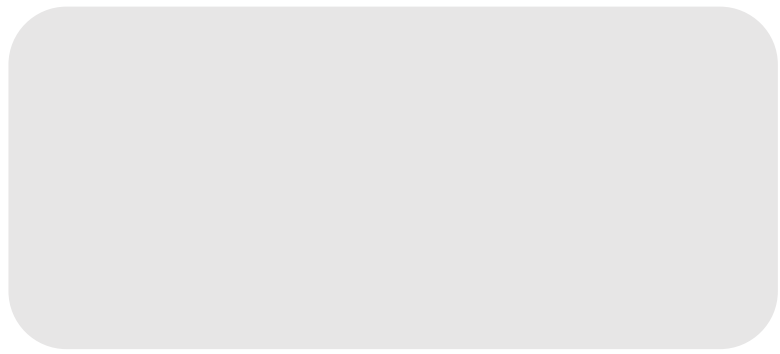


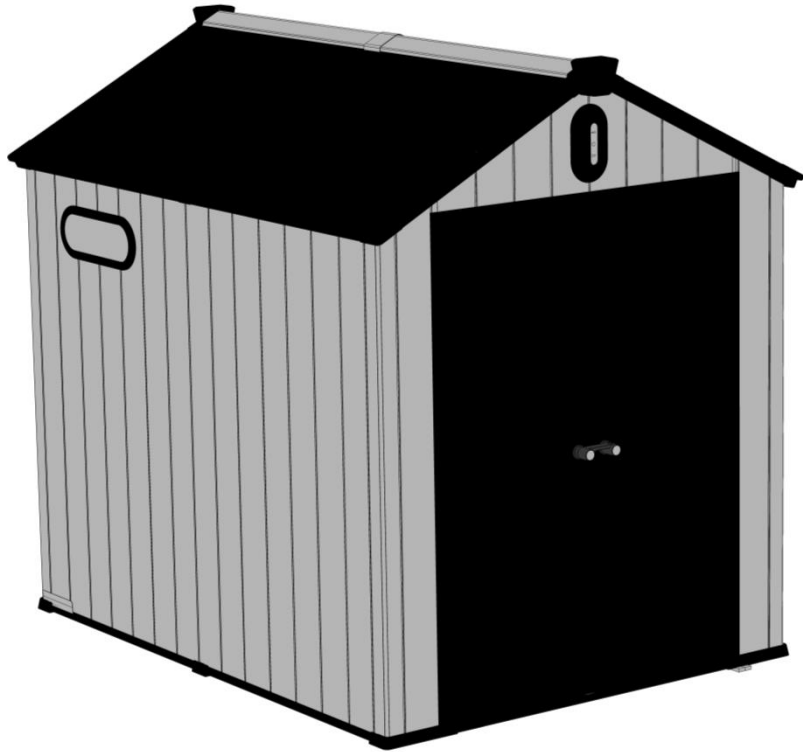
MANUAL

Intelligent Plastic Sheds

6x8ft



CARE AND SAFETY GUIDELINES



- The shed is intended for storage purposes only. It is not designed for habitation.
- It is strongly recommended to secure the shed to an immovable object or anchor to the ground by drilling holes in the shed floor (at the pre-marked locations) and inserting proper screws into the ground (screws are not included).
- Do not attempt assembly on windy or cold days.
- Periodically check the shed to ensure that it is stable and that the site is level.
- Be careful when handling parts with steel edges.
- When assembling or handling the shed, use only those tools listed in the user manual.
- Always wear work gloves, safety goggles and long sleeves when assembling or performing any maintenance on your shed.
- Avoid using a lawnmower or mechanical scythe near the shed.
- Wear safety goggles and always follow the manufacturer's instructions when using power tools.
- Wash the shed with a garden hose or a mild detergent solution. Do not use a metal brush or abrasive cleaners, including degreasers and oil- or acetone-based cleaning materials, as these may stain or damage the shed.
- Do not store hot items, such as recently used grills and blowtorches, and volatile chemicals in the shed.
- Avoid placing heavy items against the walls, as this may cause distortion.
- Keep the roof clear of accumulated snow and leaves. Large amounts of snow on the roof can damage the shed, making it unsafe to enter.
- Wind direction is an important factor to consider when determining the location of the shed. Reduce exposure to the wind, in general, and of the door side in particular. Keep doors closed and locked when the shed is not in use to prevent wind damage.
- Do not stand on the roof.
- Consult your local authorities to check if permits are required to erect the shed.

Installation precautions

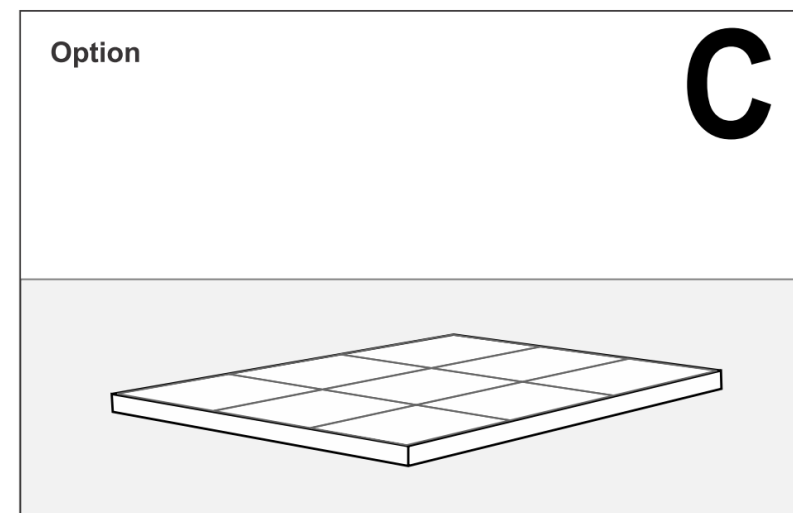
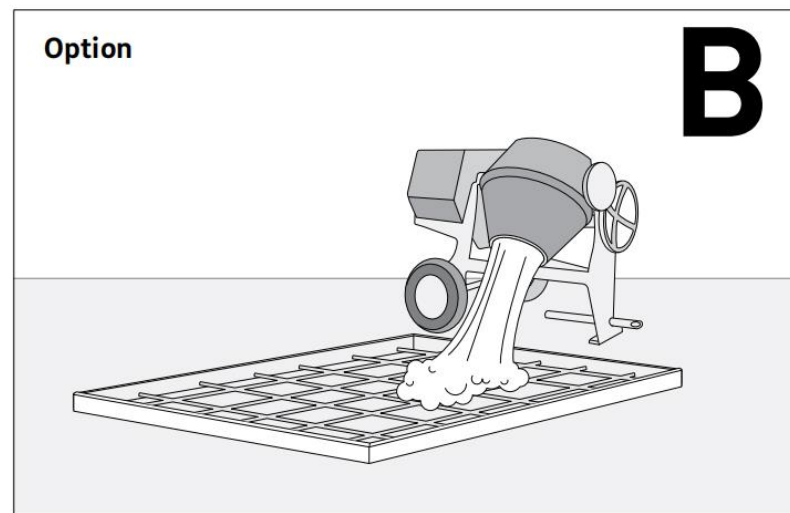
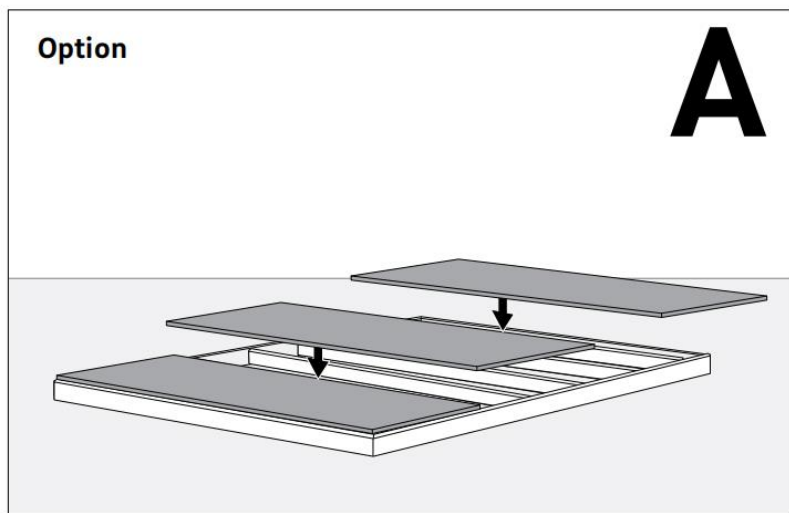
1. Site preparation

Leveling the ground.



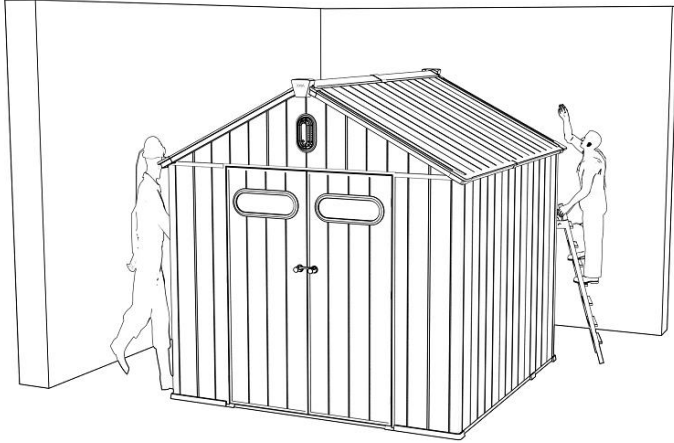
2. Set up the base

It is recommended to build a wooden base or concrete base.



3、 Leave enough space

Operating space shall be reserved for external installation work.



4、 Tools required for installation



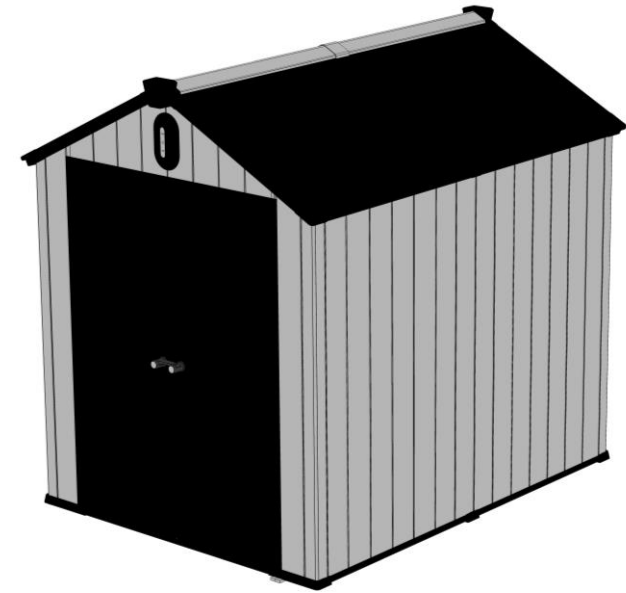
Note: Installation requires two people to work together.

contents

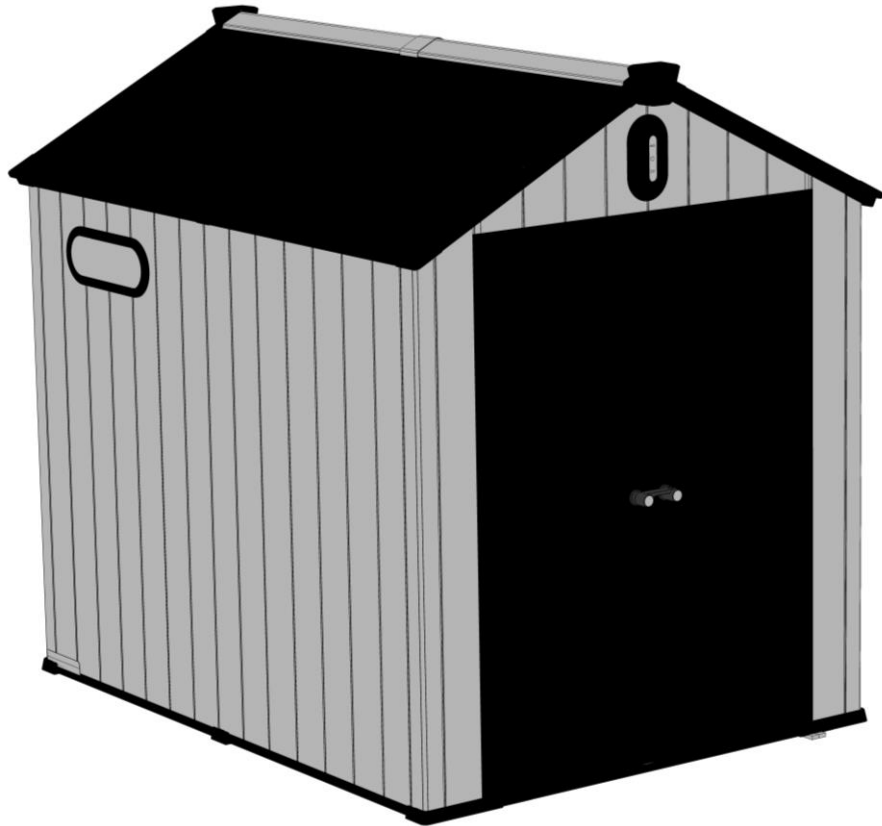
I .Product Introduction

II .Accessory & Parts

III .Installation guide



I . 【6x8ft Product Introduction】



Model: DBB_SSP_KC_SA05_0608DB
Intelligent Plastic Storage Shed

Size: 96.93*74.21*89.21 in

Color: Grey

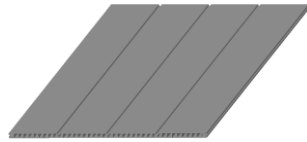
Base size: 91.97*71.53 in

Area covered: 45.68 square feet

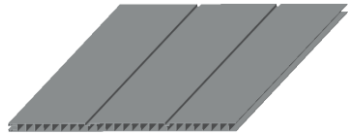
【No. 1 Intelligent Plastic Storage Shed_6x8ft】

II. Accessory & Parts (1)

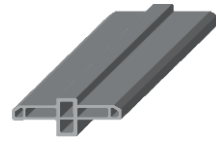
FLOOR



KCP1. F1x3



KCP1. F2x1



KCPC1. Fx3



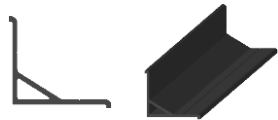
KCFTSx1



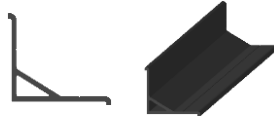
KCFB. B1x4



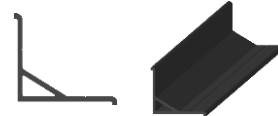
KCFB. B2x1



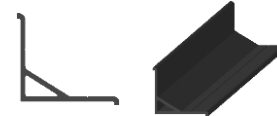
KCFB. U1x2



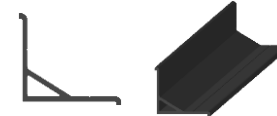
KCFB. U2x2



KCFB. U3x1

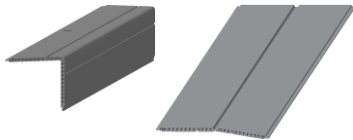


KCFB. U4x1

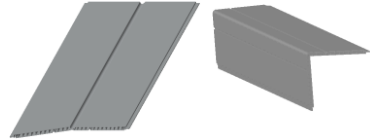


KCFB. U5x1

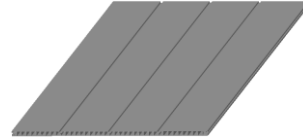
WALL



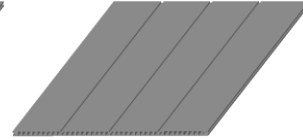
KCWPC. L x2



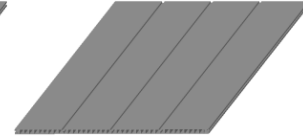
KCWPC. R x2



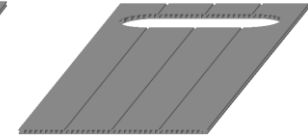
KCP2. W1 x2



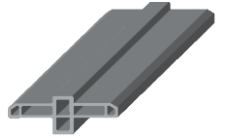
KCP2. W2 x2



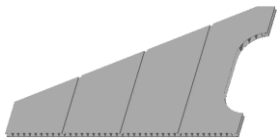
KCP1. W1 x3



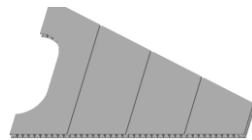
KCP1. W2 x1



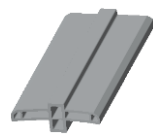
KCPC1. W1 x4



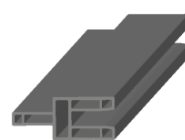
KCP2. W3x2



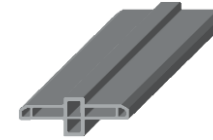
KCP2. W4 x2



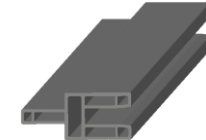
KCPC1. W3x2



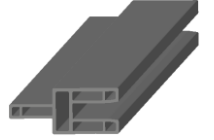
KCPC1. W4x2



KCPC1. W2 x1



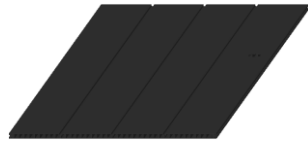
KCWPY. W1 x2



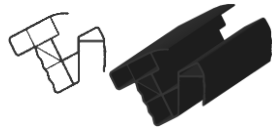
KCWPY. W2 x4

II. Accessory & Parts (1)

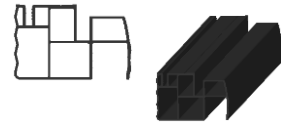
WALL



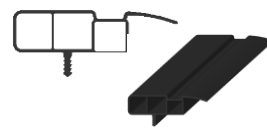
KCP2. Dx2



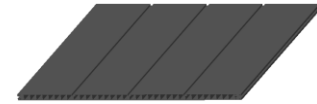
KCRBLx4



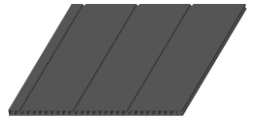
KCRBH. Bx4



KCRBH. Cx4

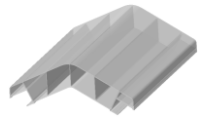


KCP1. R1x4



KCP1. R2x4

ROOF



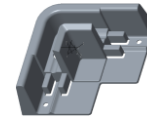
KCRR x2



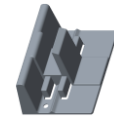
KCFFB. L6 x1



KCFFB. R6 x1



KCFRC x2



KCFBC x2



KCRBLC x2



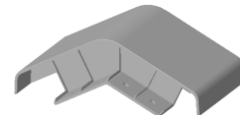
KCRRH x2



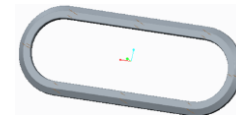
KCRBC. L x2



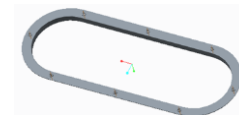
KCRBC. R x2



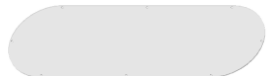
KCRRC x1



WIR2. OUTx1



WIR2. INx1



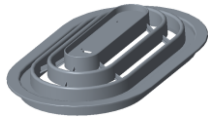
WIR2. PCx1

II. Accessory & Parts (2)

ROOF



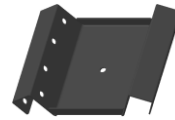
KCRSH x2



VNR2. OUT x2



KCRR x2



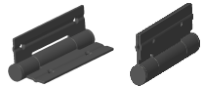
KCRST x1



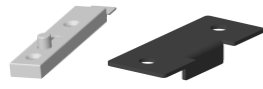
KCRSB x4



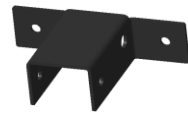
KCRPB x6



KCD1x4



KCD2 x2



KCWST x1



KCWSC x4

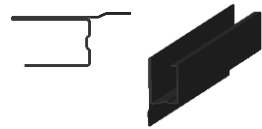


KCRS2 x1

DOOR



KCDBP x1



KCDMU x1



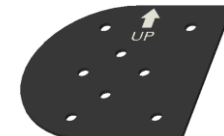
kcDMR x1



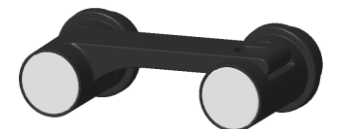
KCDML x1



KCDPL x2



DH1. H x2



KCD3x1



KCDBV x3



KCDBH x4



KCRS1 x2



KCWSE. S x2



KCWSE. L x2



KCWSU x2



KCWSDx3

II. Accessory & Parts (3)

WINDOW



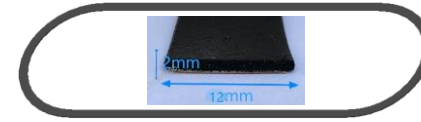
出风口装饰标贴 x2



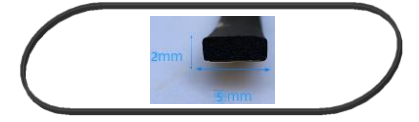
吊杆 x1



楔形垫块 x2

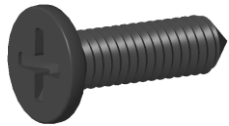


Flat Rubber sealing stripe x1
2mm*12mm

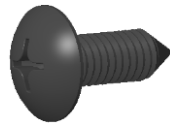


Flat Rubber sealing stripe x1
2mm*5mm

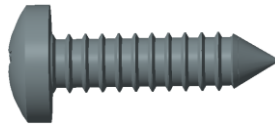
ACCESSORY



ST3.9x14 x190



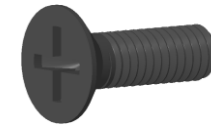
ST3.9x12 x245



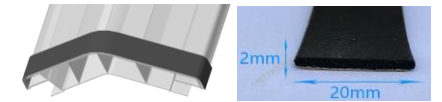
ST3.9x25 x50



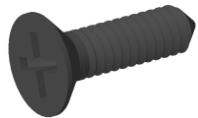
ST2.9x8 x10



ST4.2x20 x15



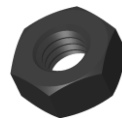
Rubber sealing strip x4
2mm*20mm



ST4.2x16 x40



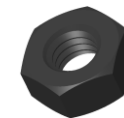
M6x40 x22



M6 x22



M4x8 x6



M4 x6



M8x80 x4



STICKERx2



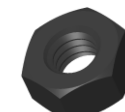
PADSx2



BEARx1



M8x25x1



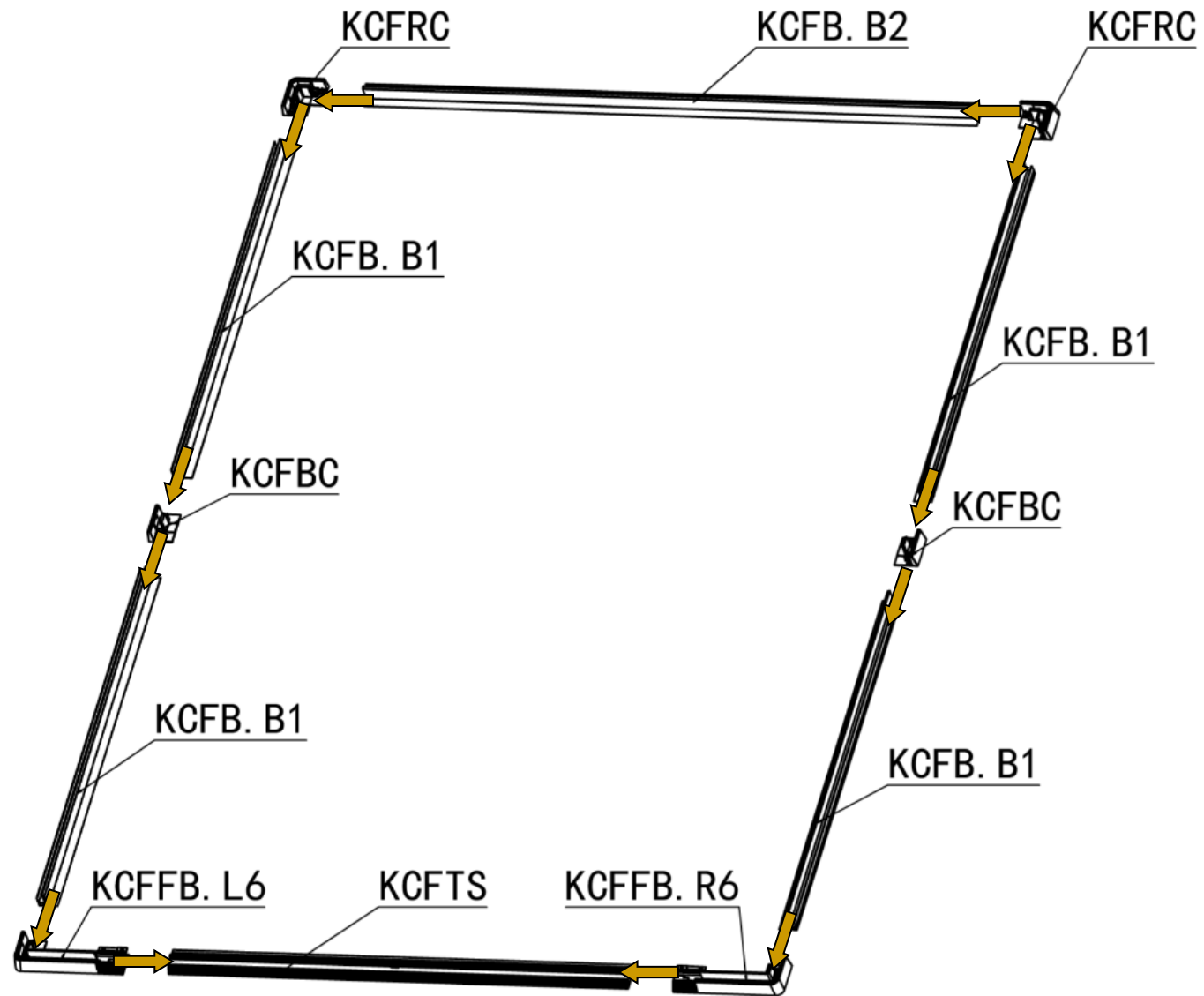
M8 x1



Auxiliary tools for installing the corner panelsx2

Ⅲ. Installation guide (Base)

BASE INSTALLATION

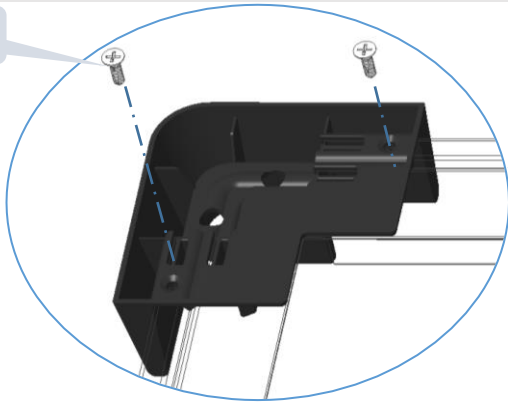


【 Front view of base 】

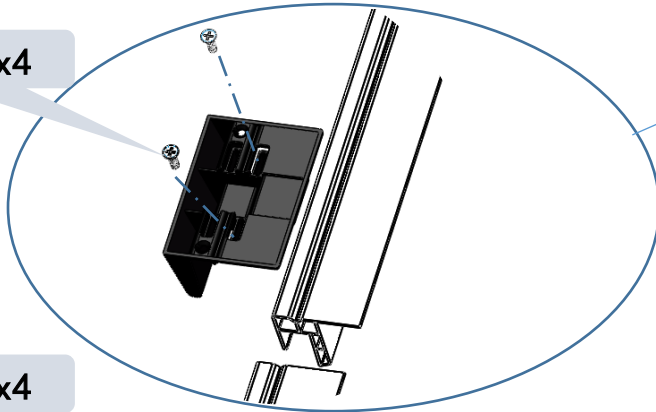
III. Installation guide (Base)

BASE
INSTALLATION

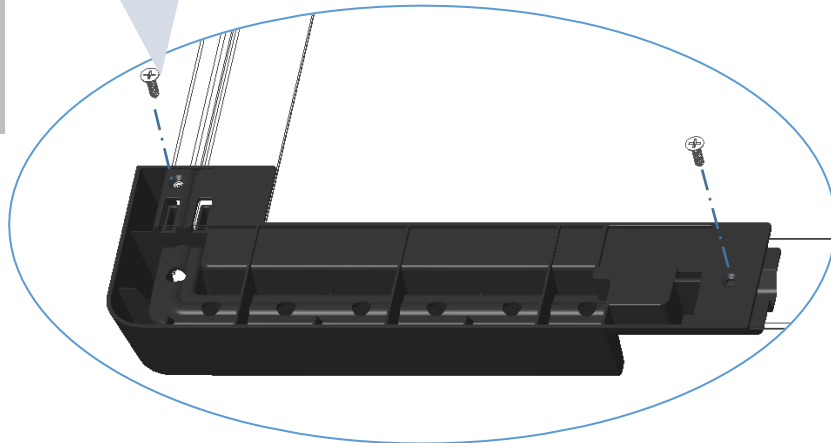
ST4. 2x16x4



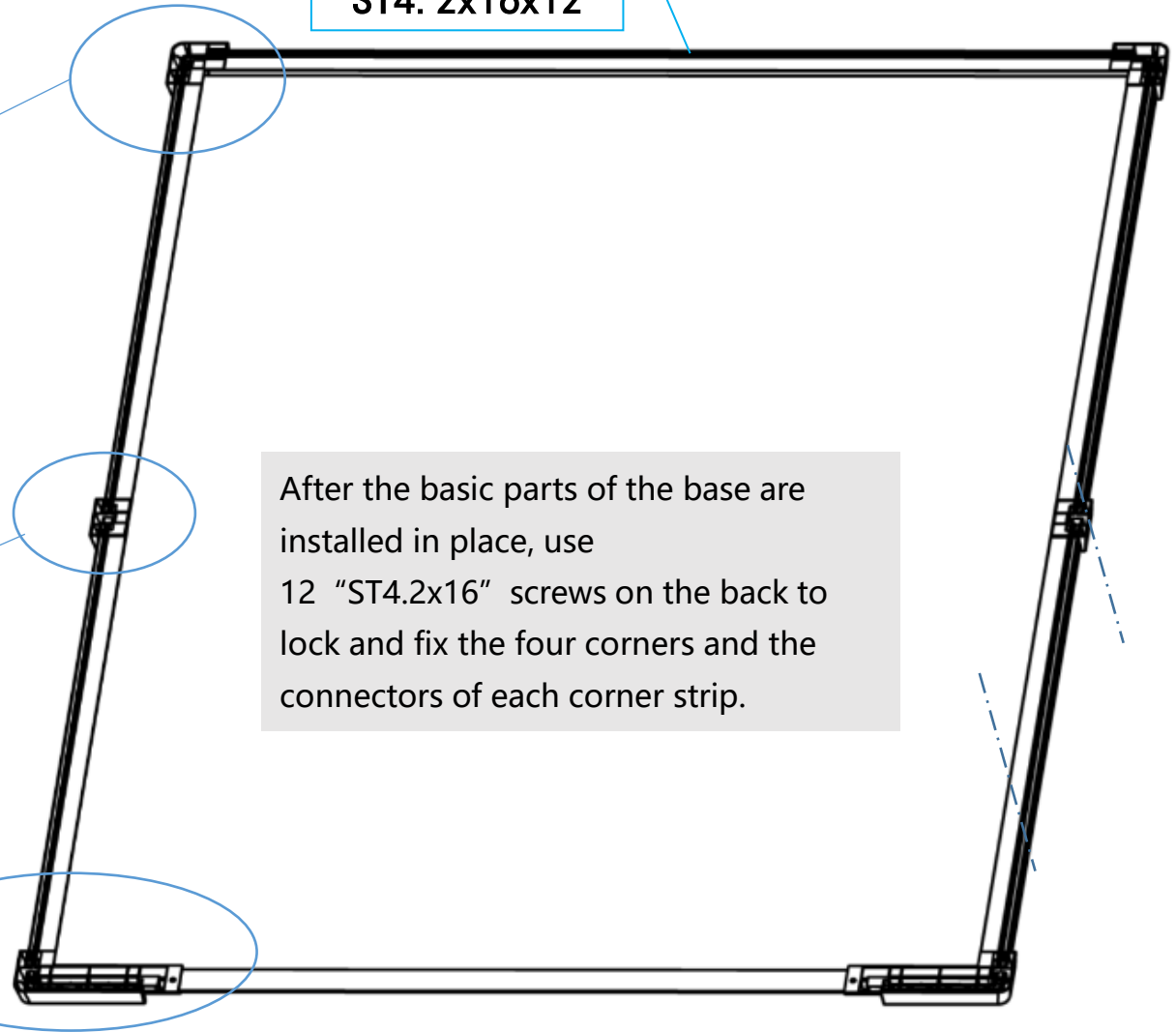
ST4. 2x16x4



ST4. 2x16x4



ST4. 2x16x12

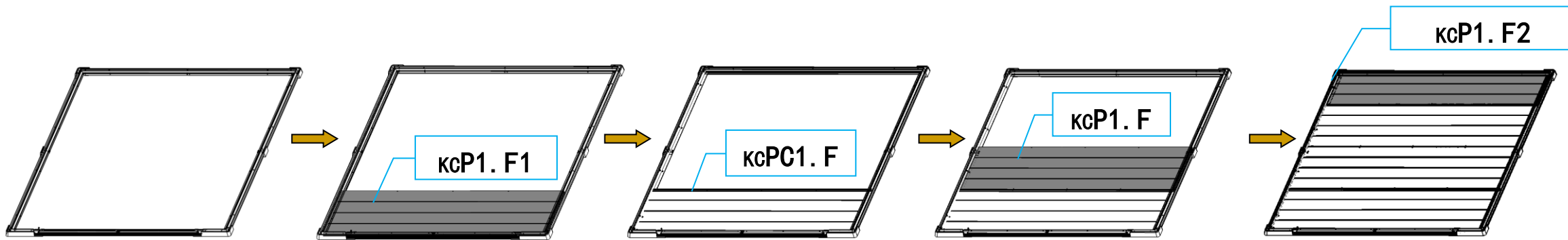


After the basic parts of the base are installed in place, use 12 "ST4.2x16" screws on the back to lock and fix the four corners and the connectors of each corner strip.

【Back view of base】

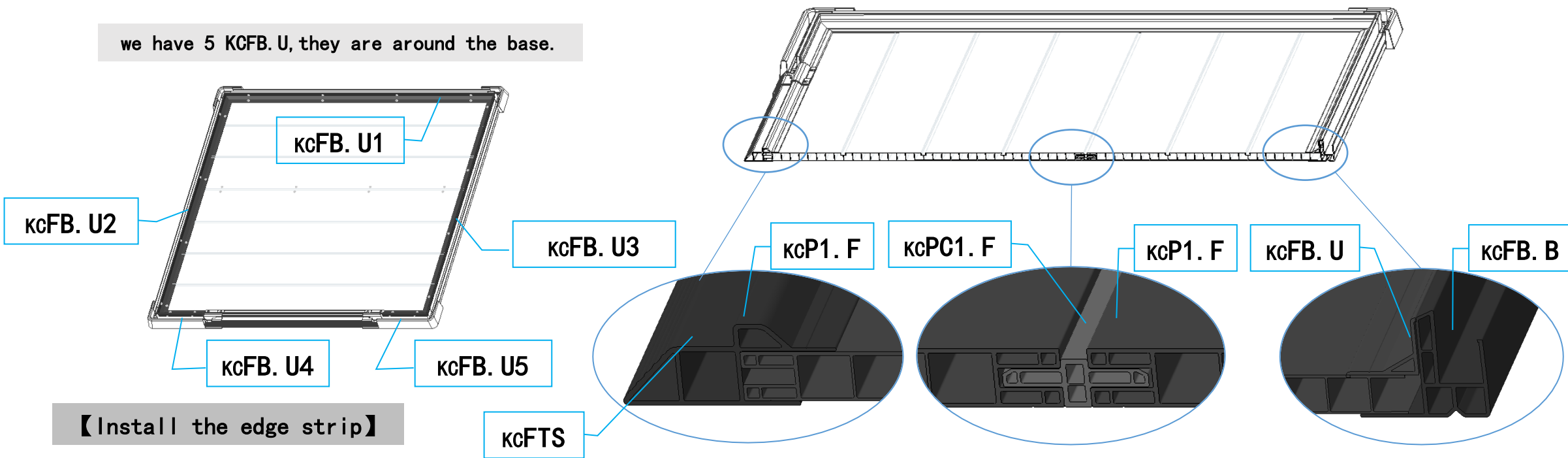
III. Installation guide (Floor)

FLOOR INSTALLATION



【Base front】

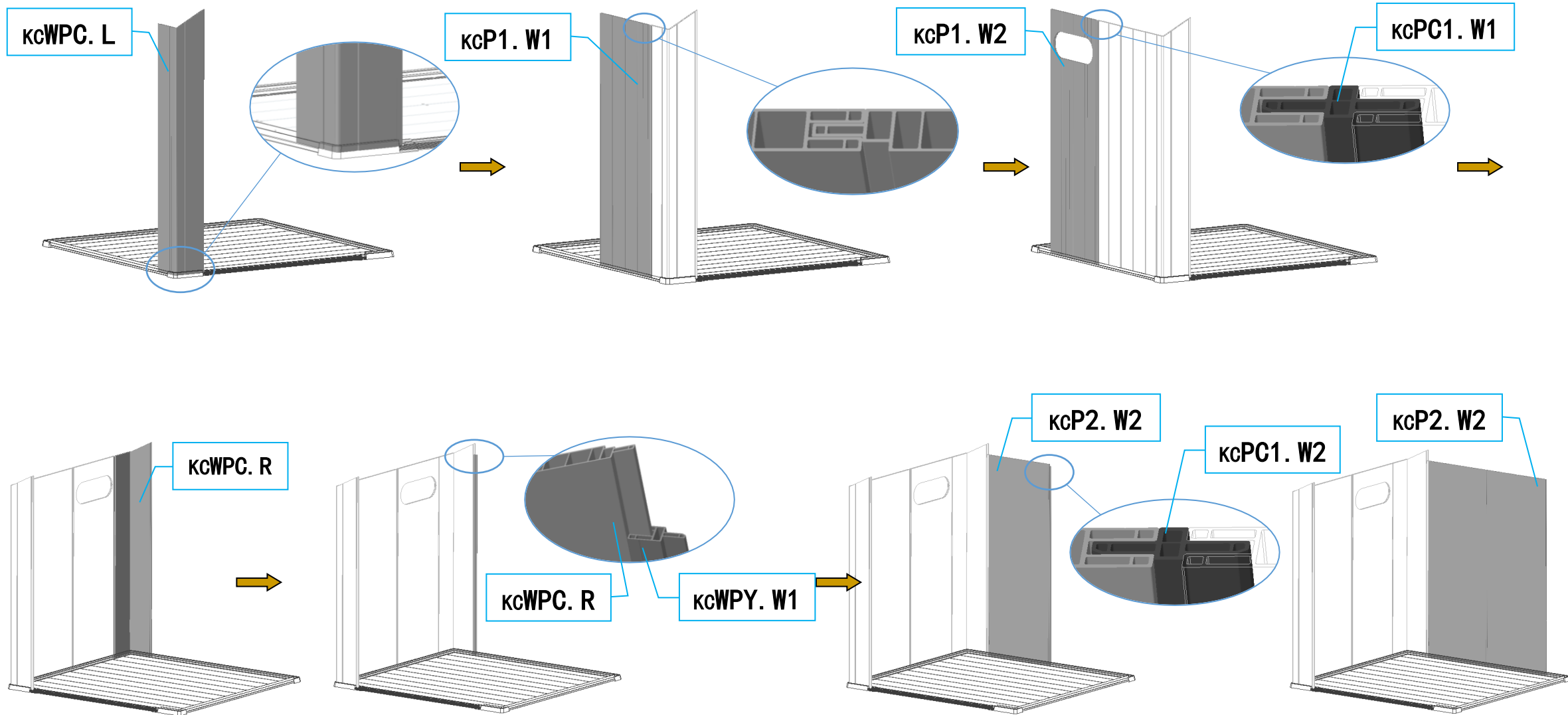
we have 5 KCFB. U, they are around the base.



【Install the edge strip】

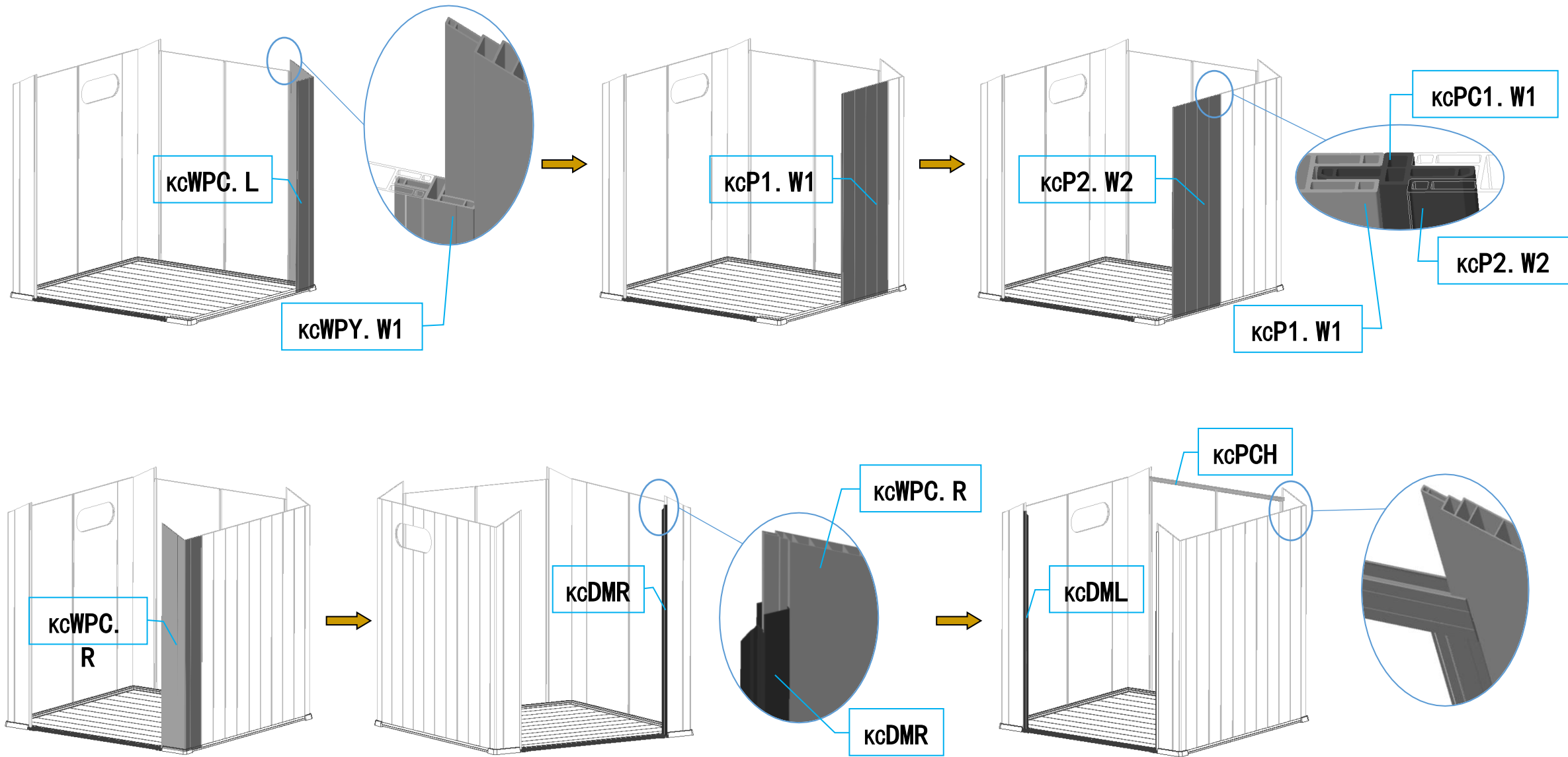
III. Installation guide (Wall)

WALL INSTALLATION



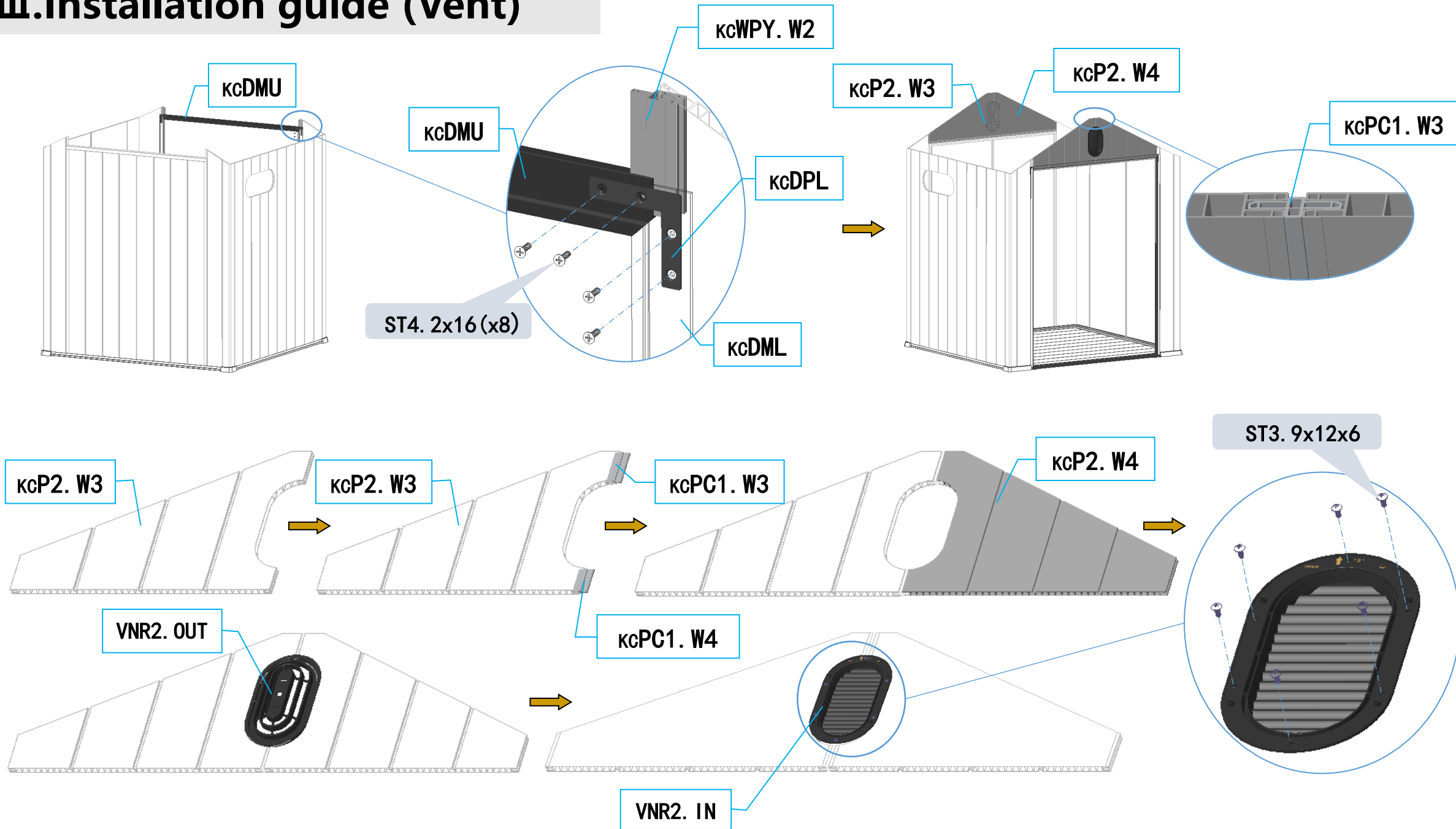
III. Installation guide (Wall)

WALL INSTALLATION



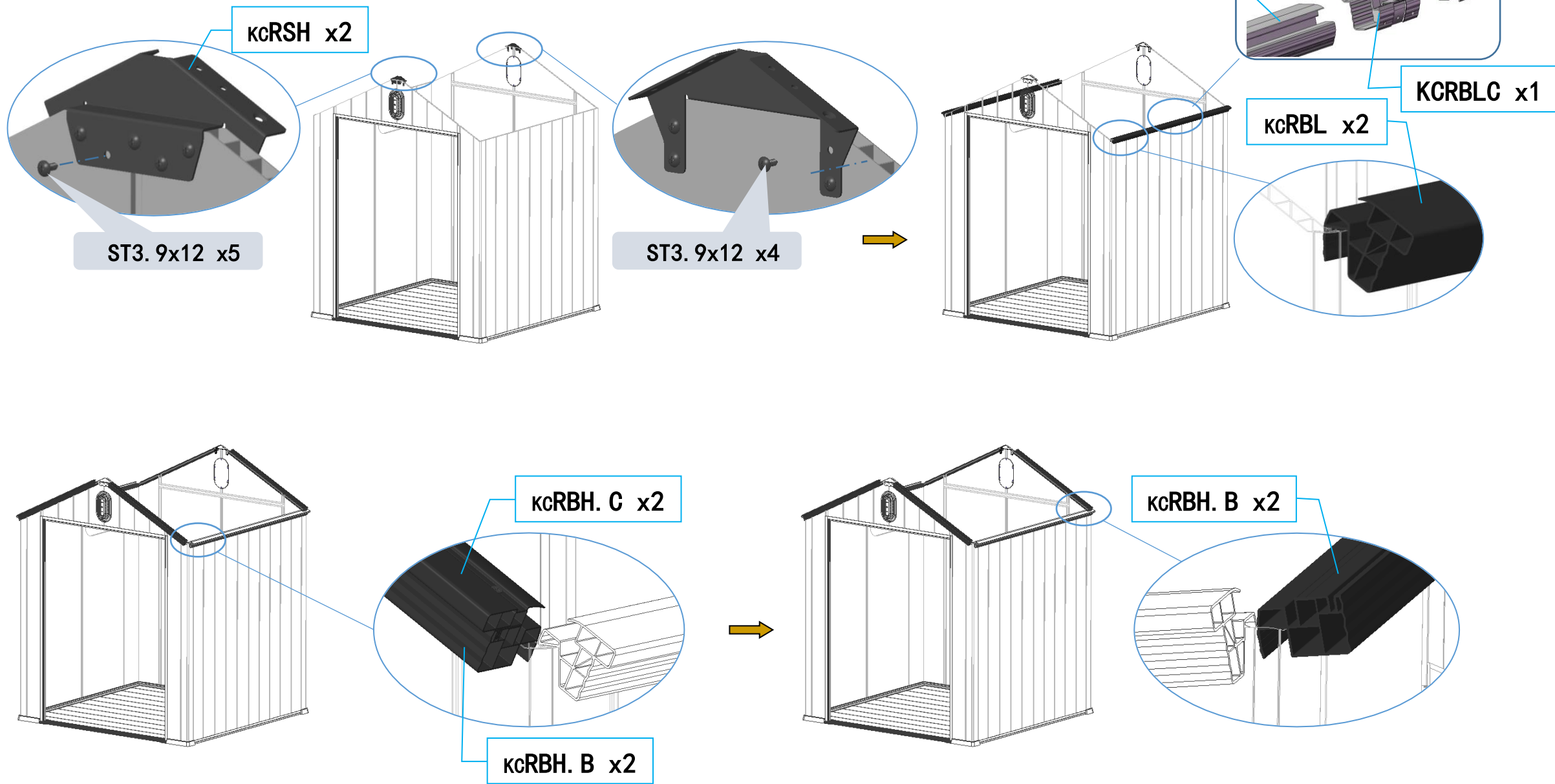
III. Installation guide (Vent)

VENT INSTALLATION



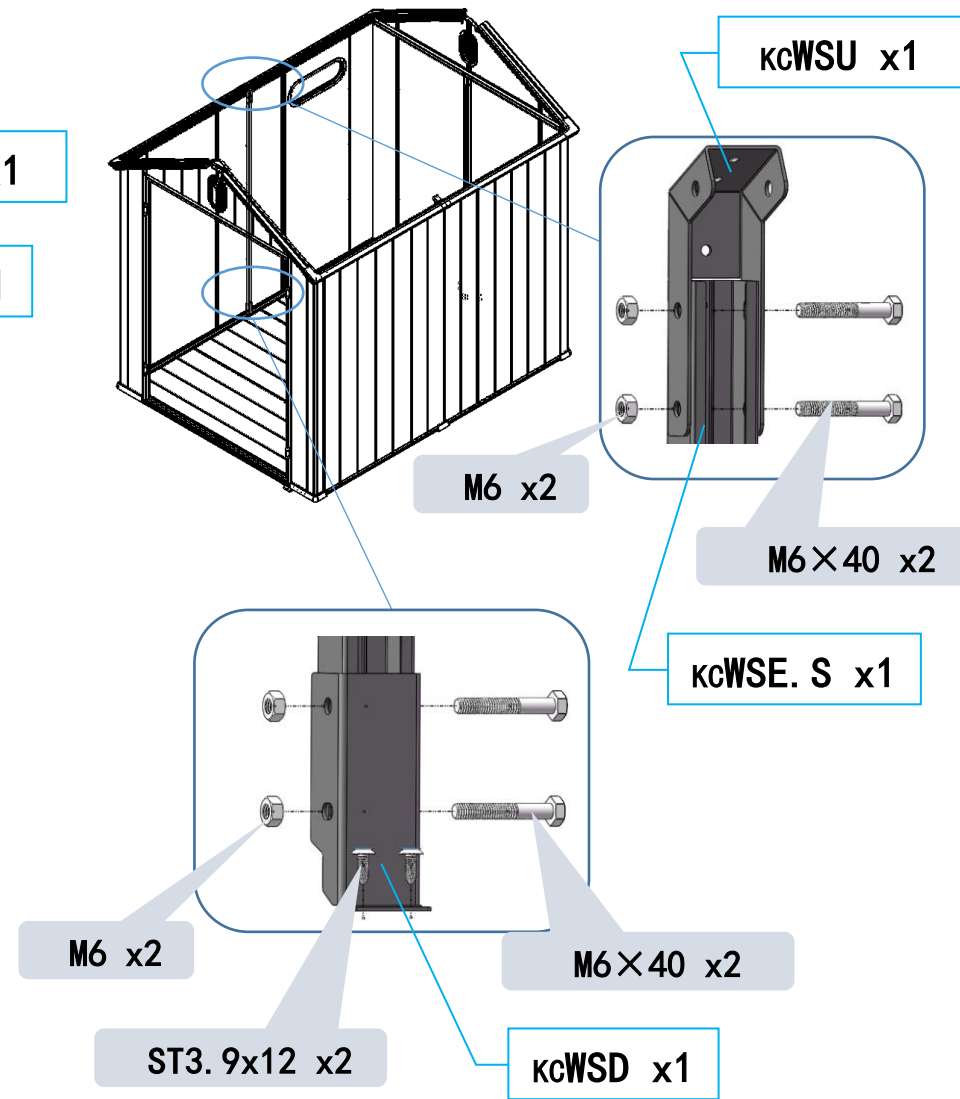
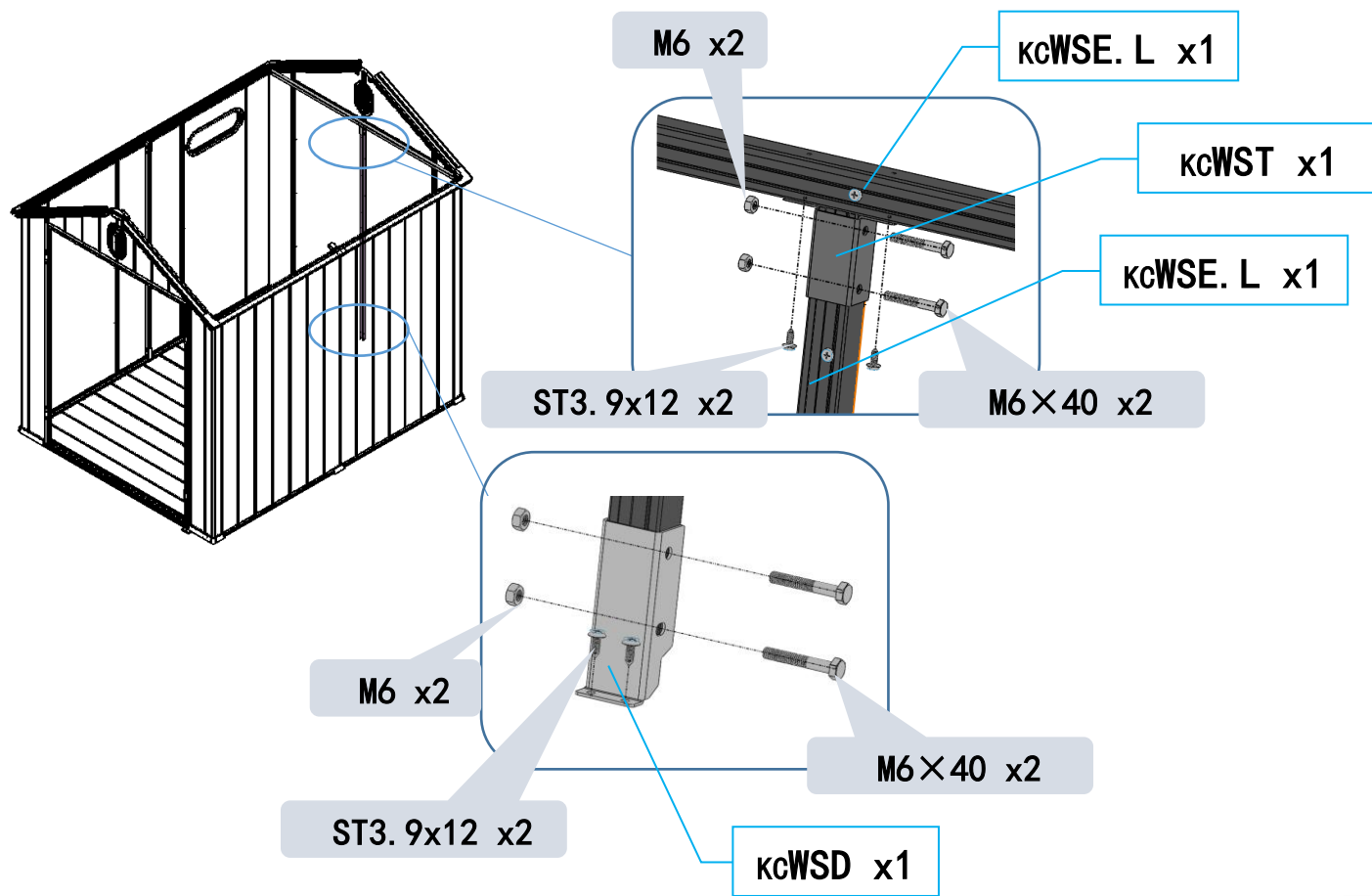
III. Installation guide (Roof)

ROOF INSTALLATION



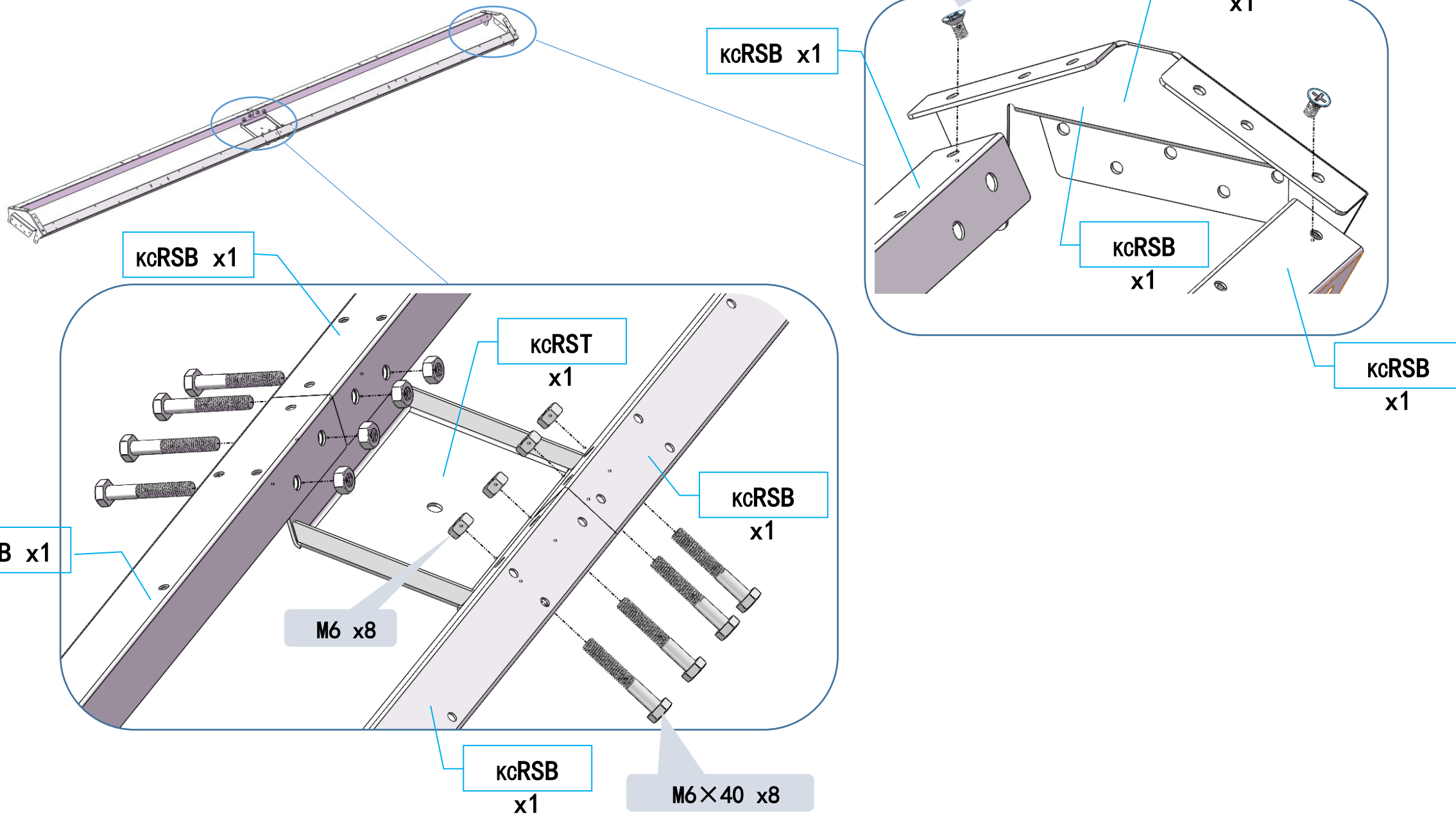
III. Installation guide (Roof)

ROOF INSTALLATION



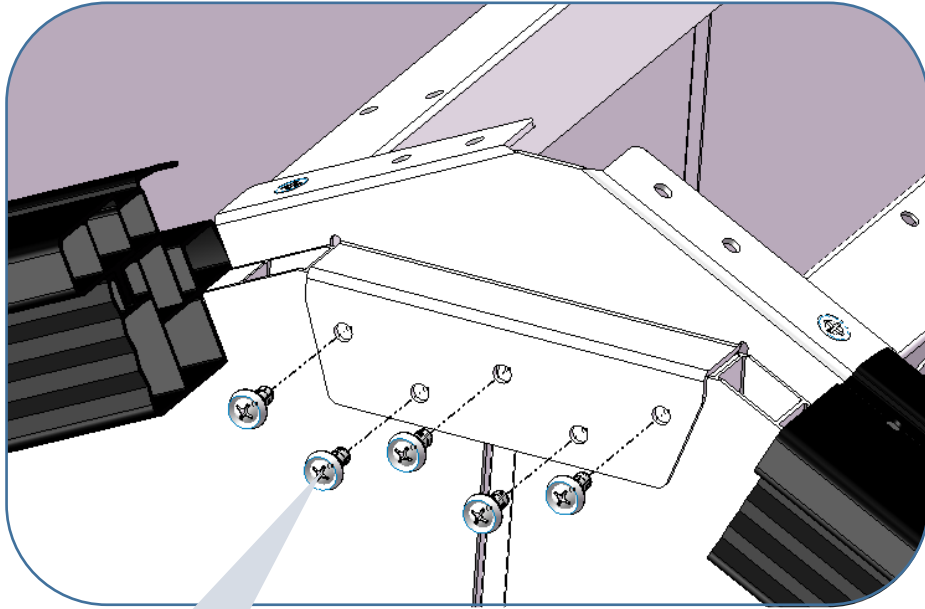
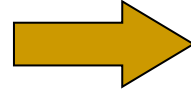
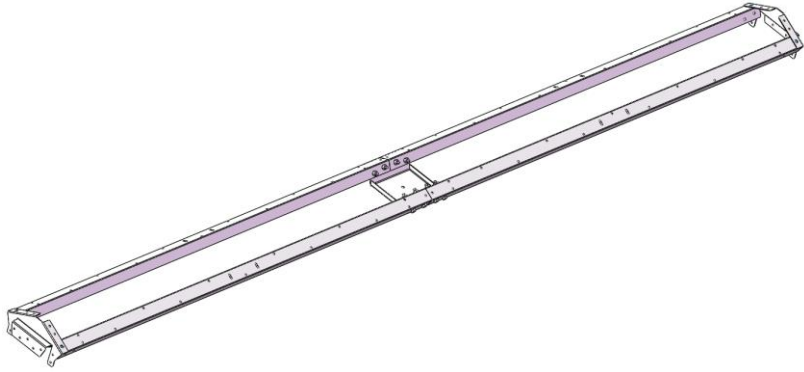
III. Installation guide (Roof)

ROOF INSTALLATION



III. Installation guide (Roof)

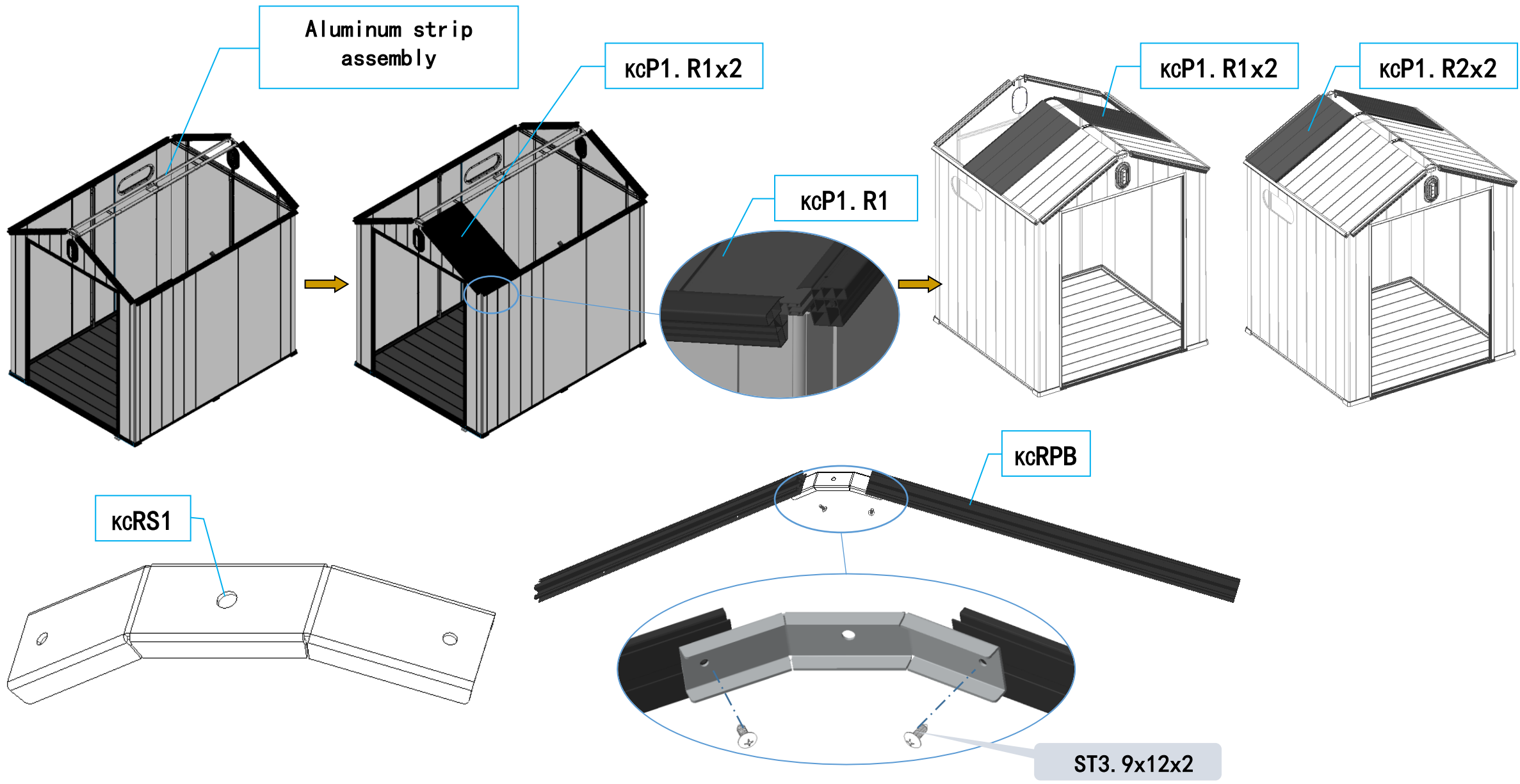
ROOF INSTALLATION



ST3. 9x12x5

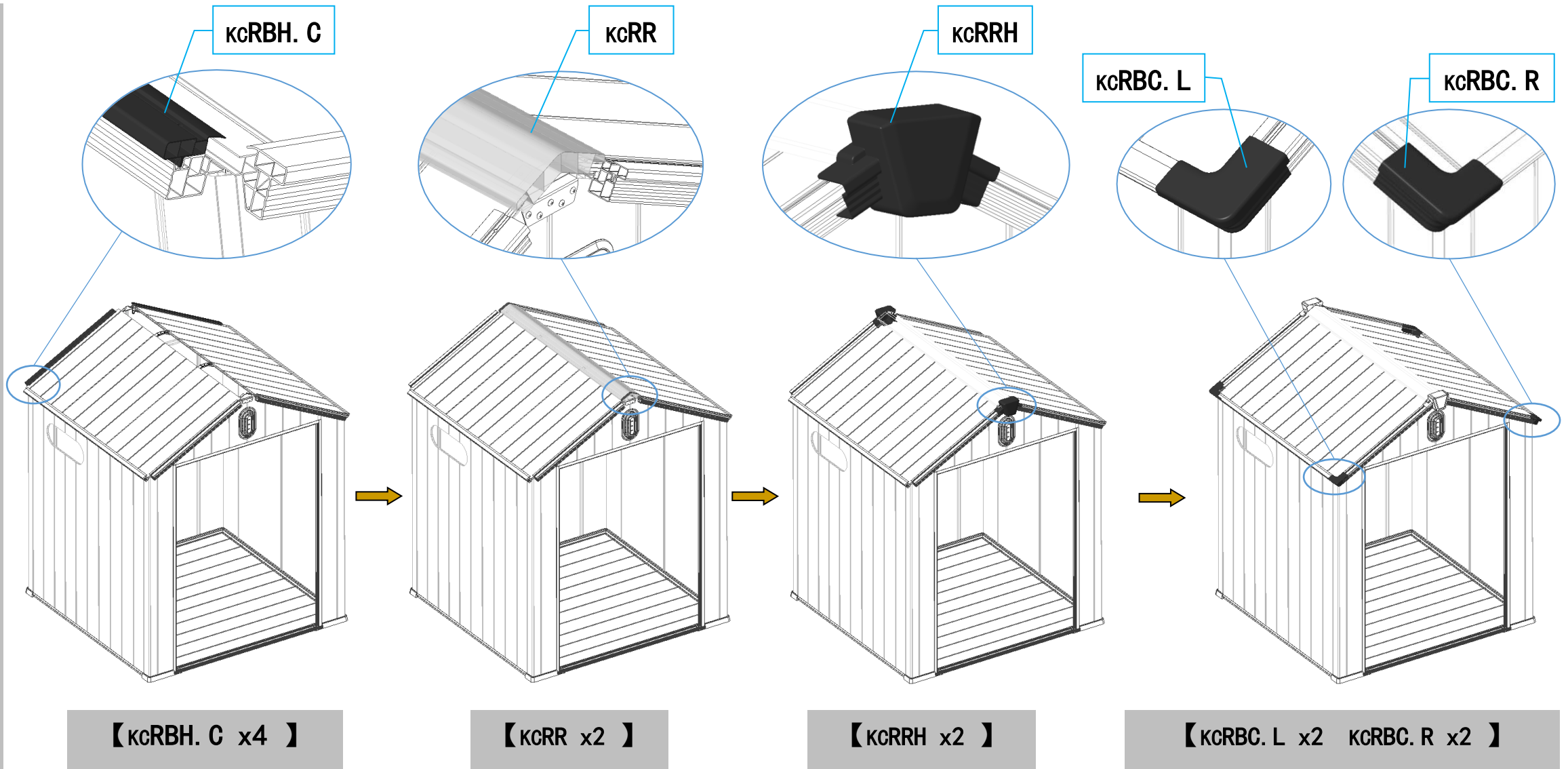
III. Installation guide (Roof)

ROOF INSTALLATION



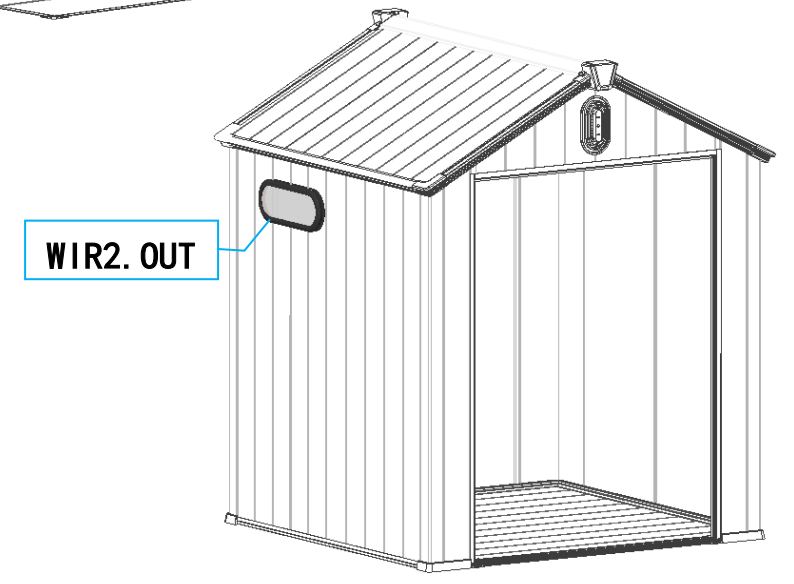
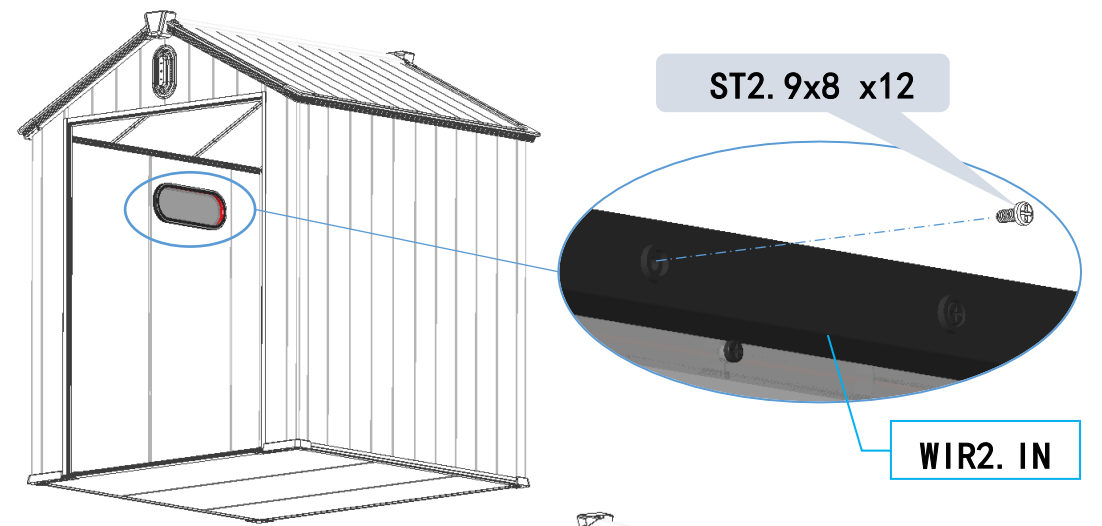
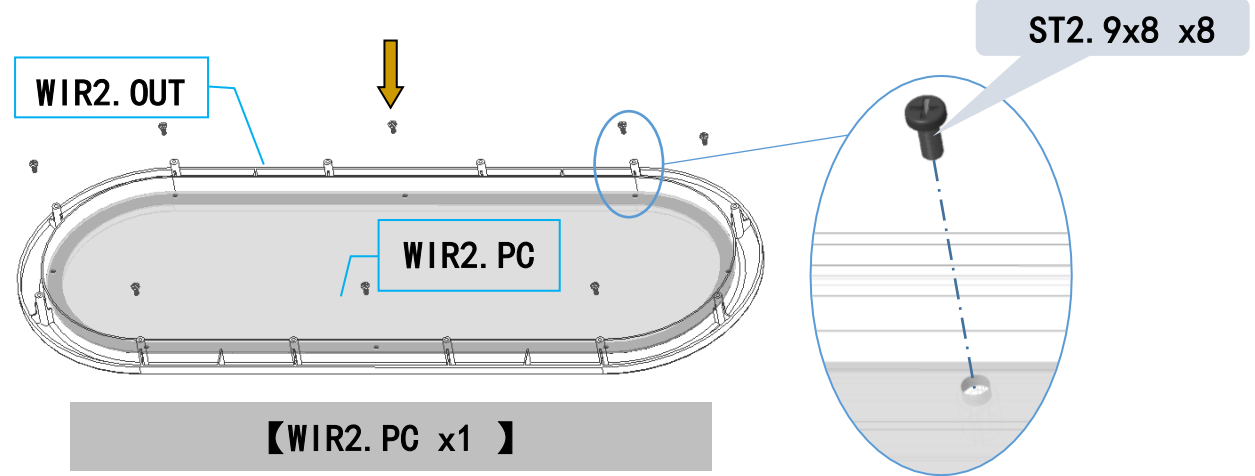
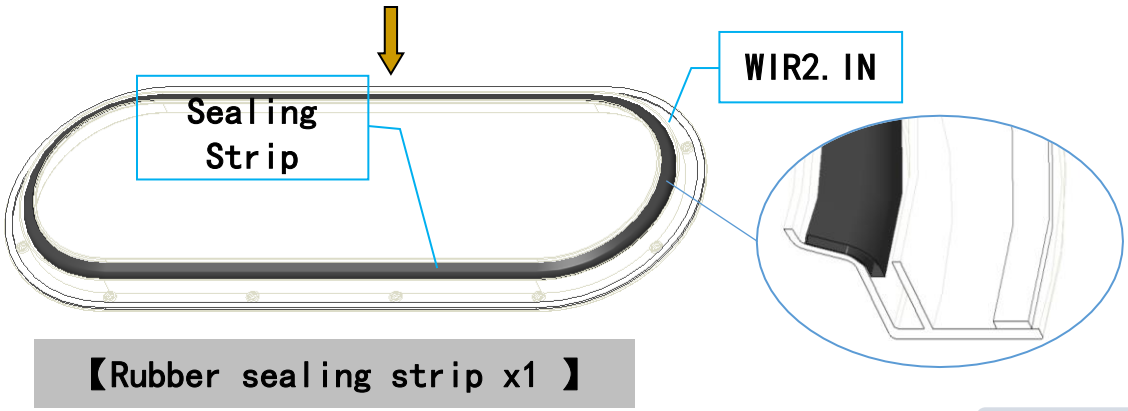
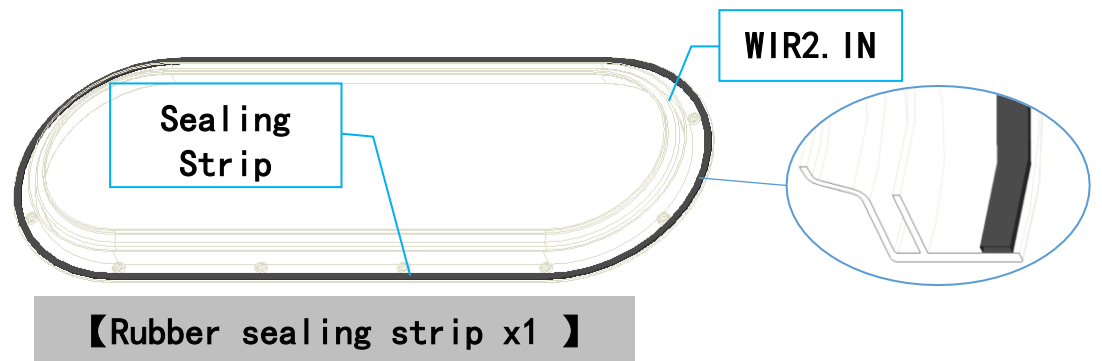
III. Installation guide (Roof)

ROOF INSTALLATION



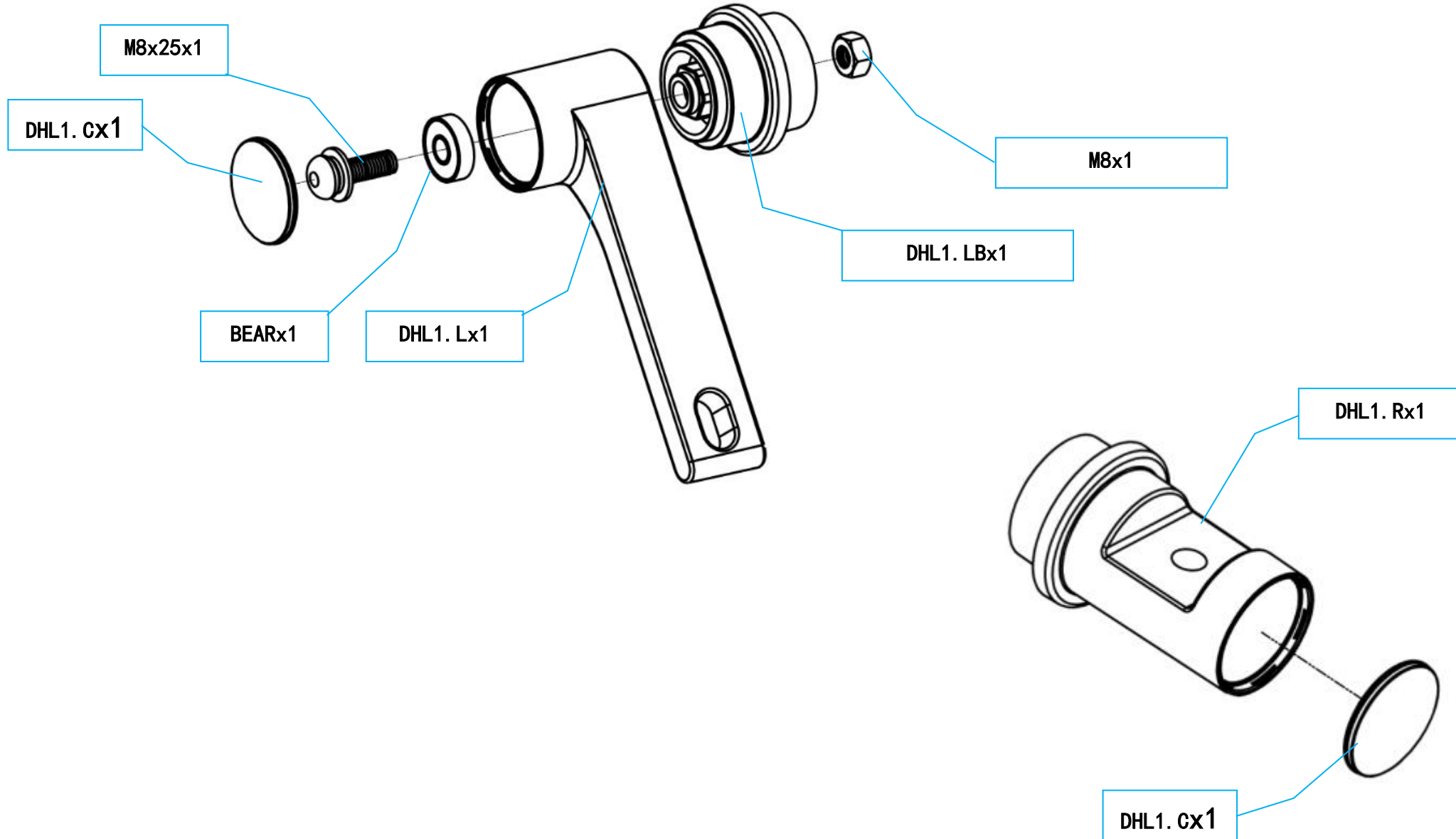
III. Installation guide (Window)

RIGHT DOOR INSTALLATION



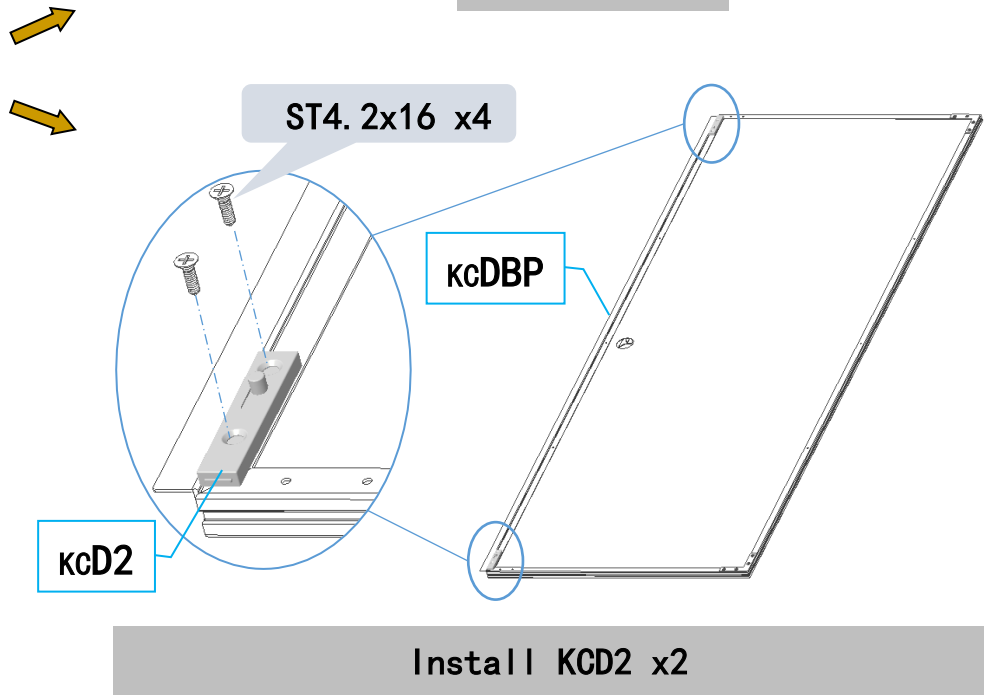
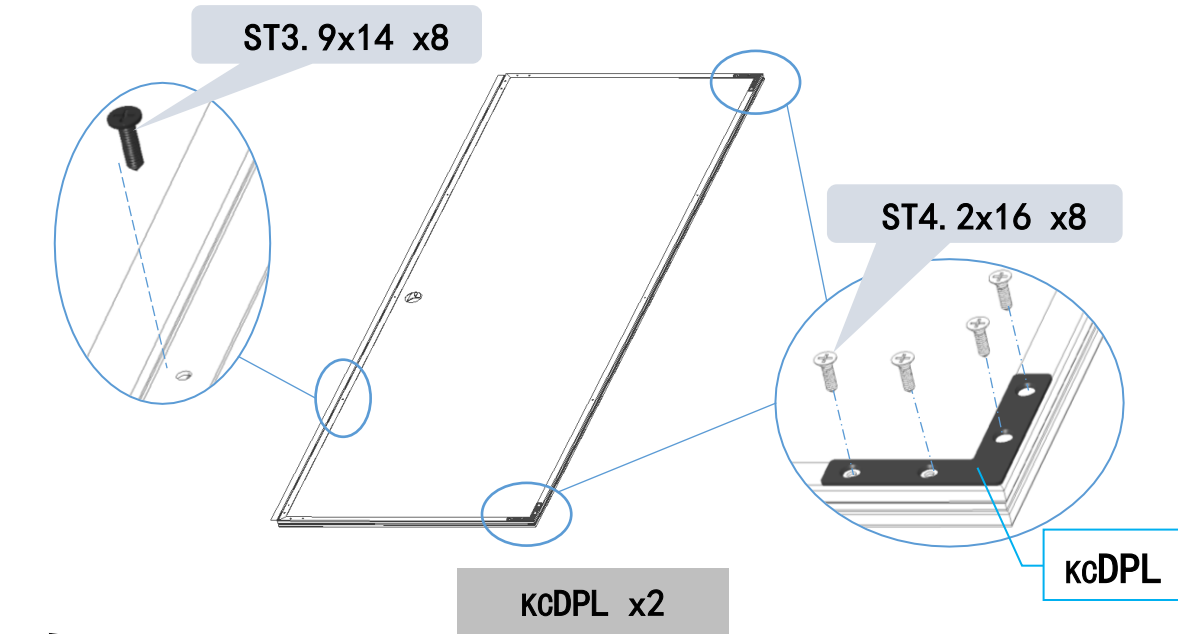
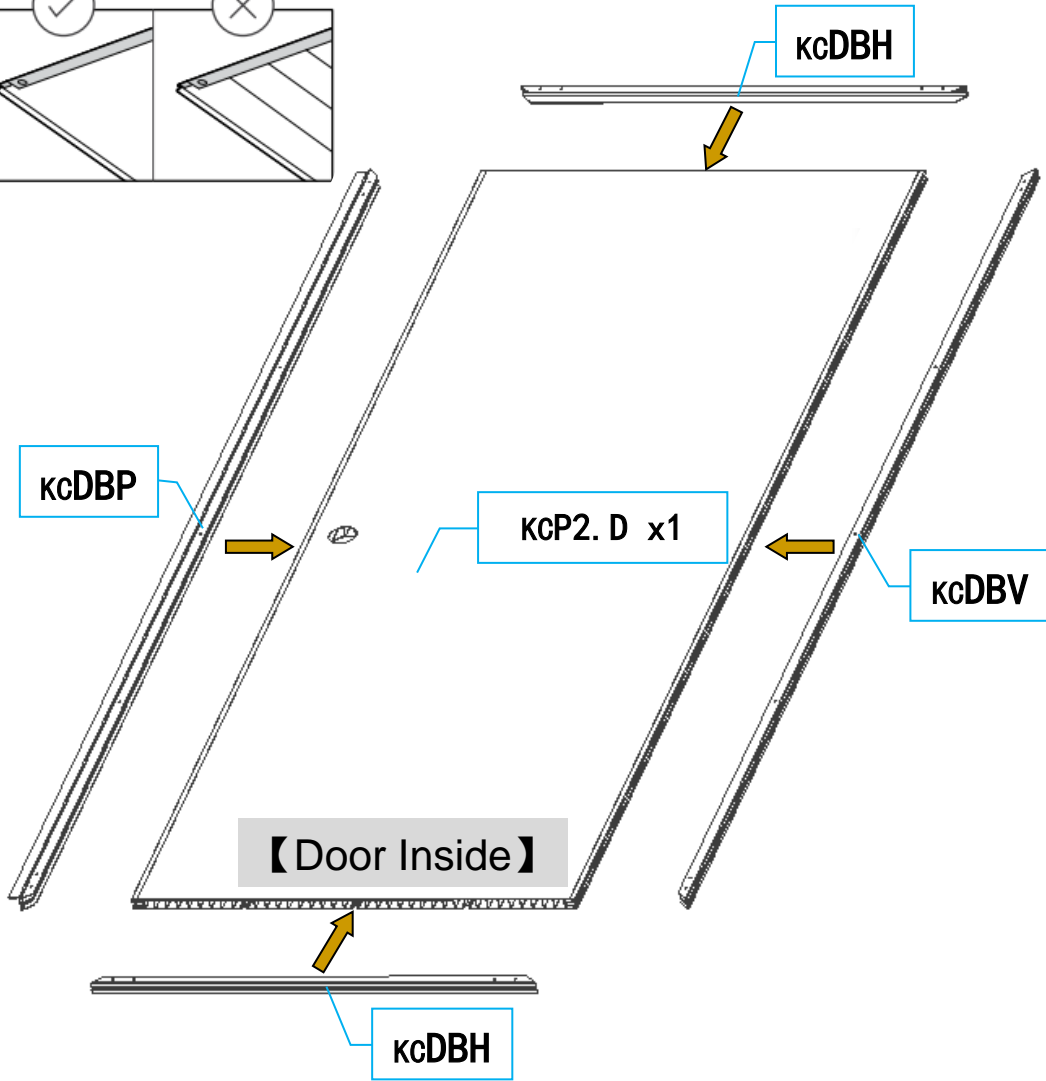
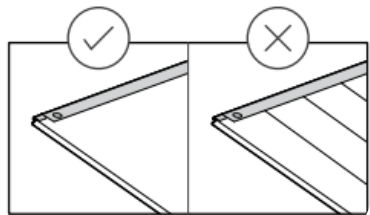
III. Installation guide (Door)

DOOR HANDLE



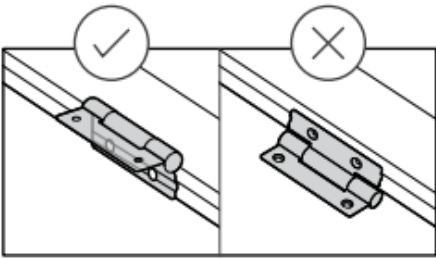
III. Installation guide (Left Door)

LEFT DOOR INSTALLATION

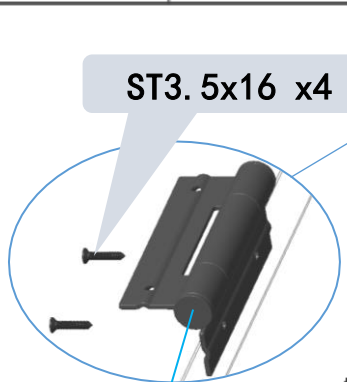


III. Installation guide (Left Door)

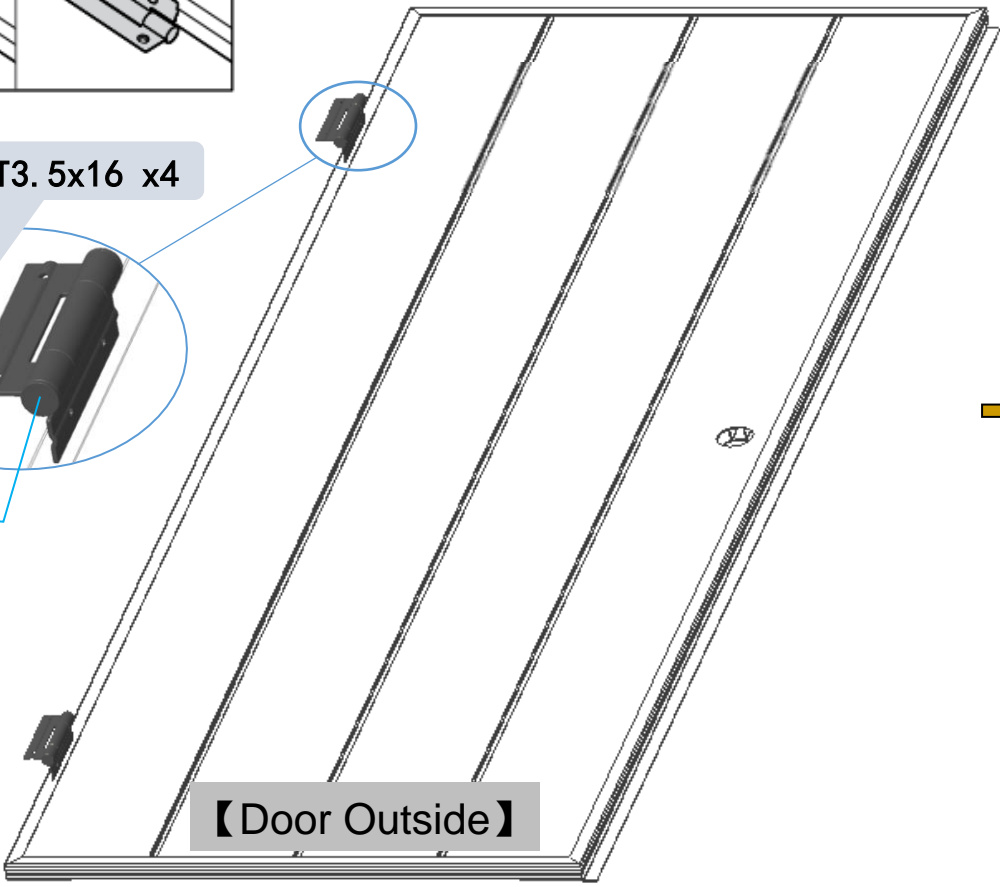
LEFT DOOR INSTALLATION



ST3.5x16 x4

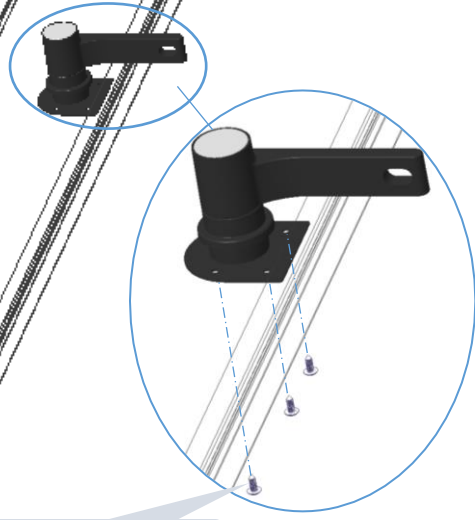


KCD1 x2

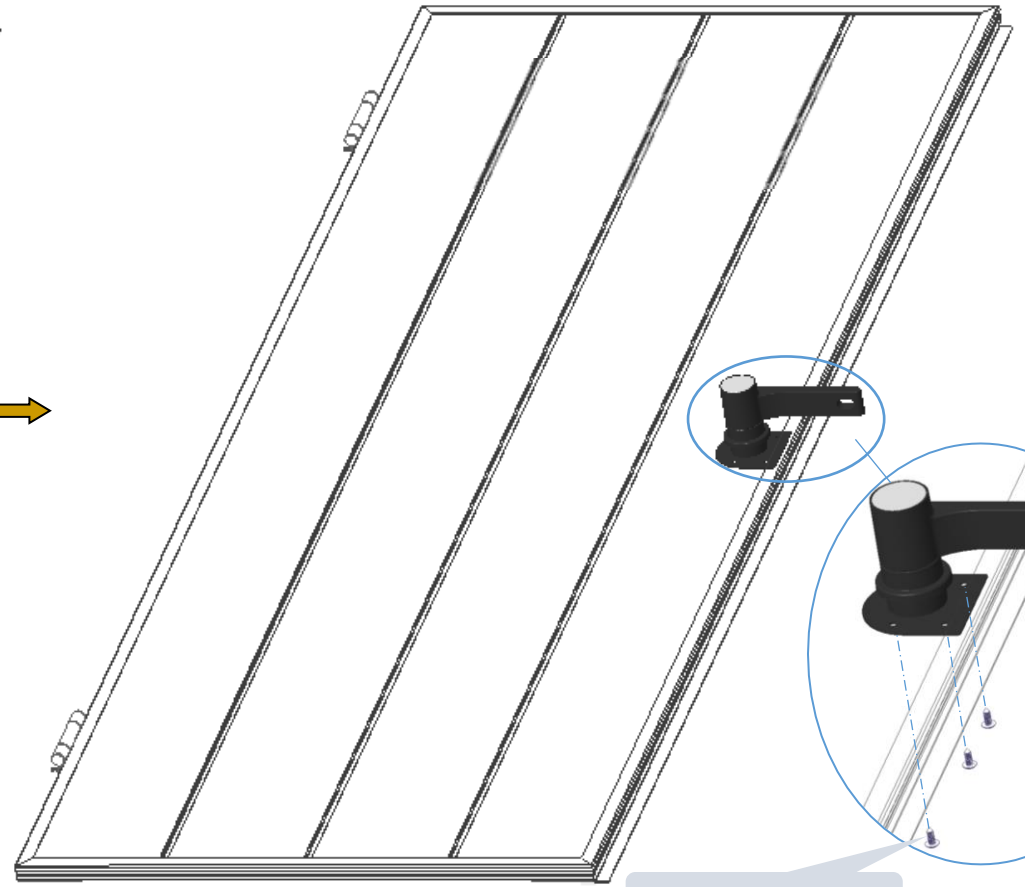


【Door Outside】

【KCD1 x2】

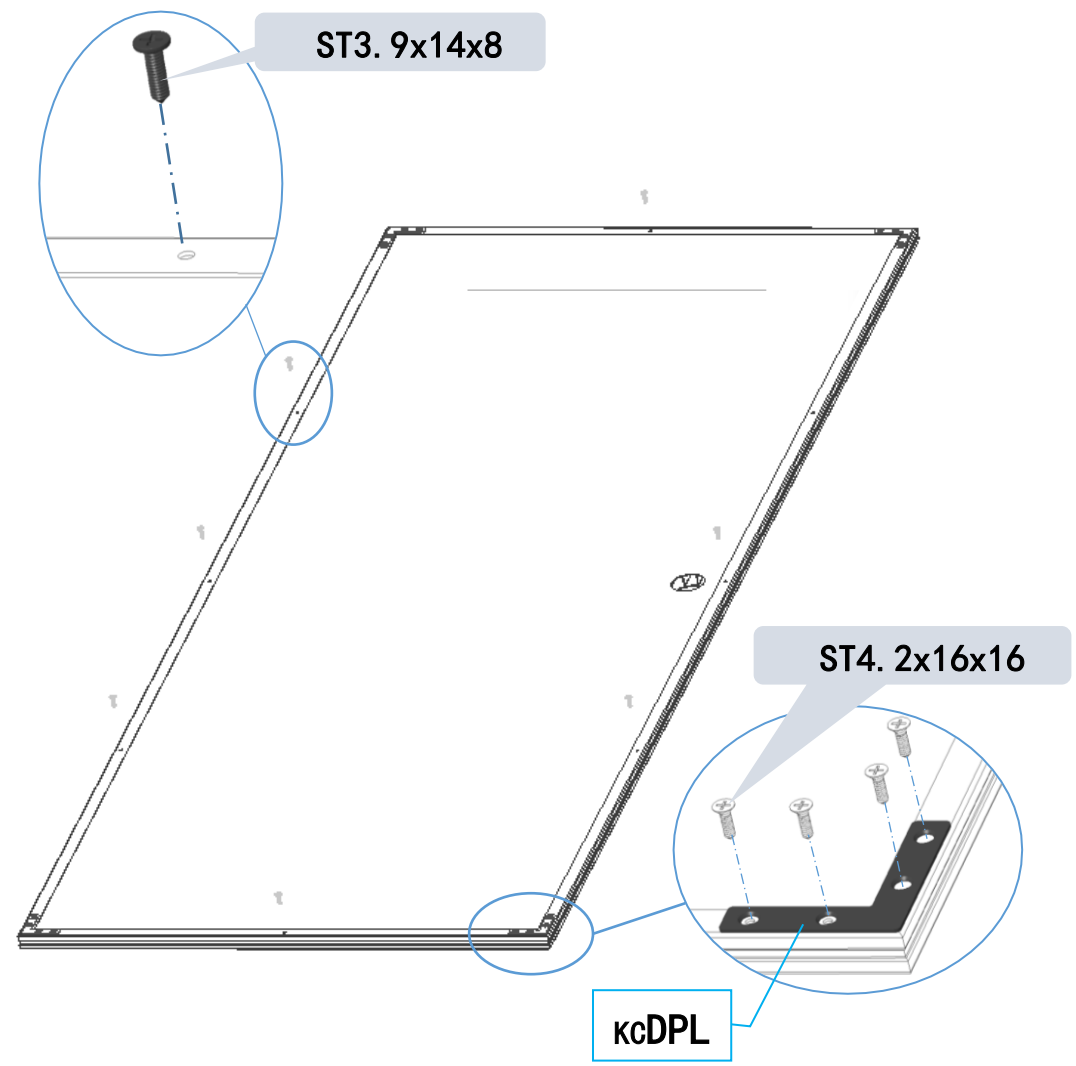
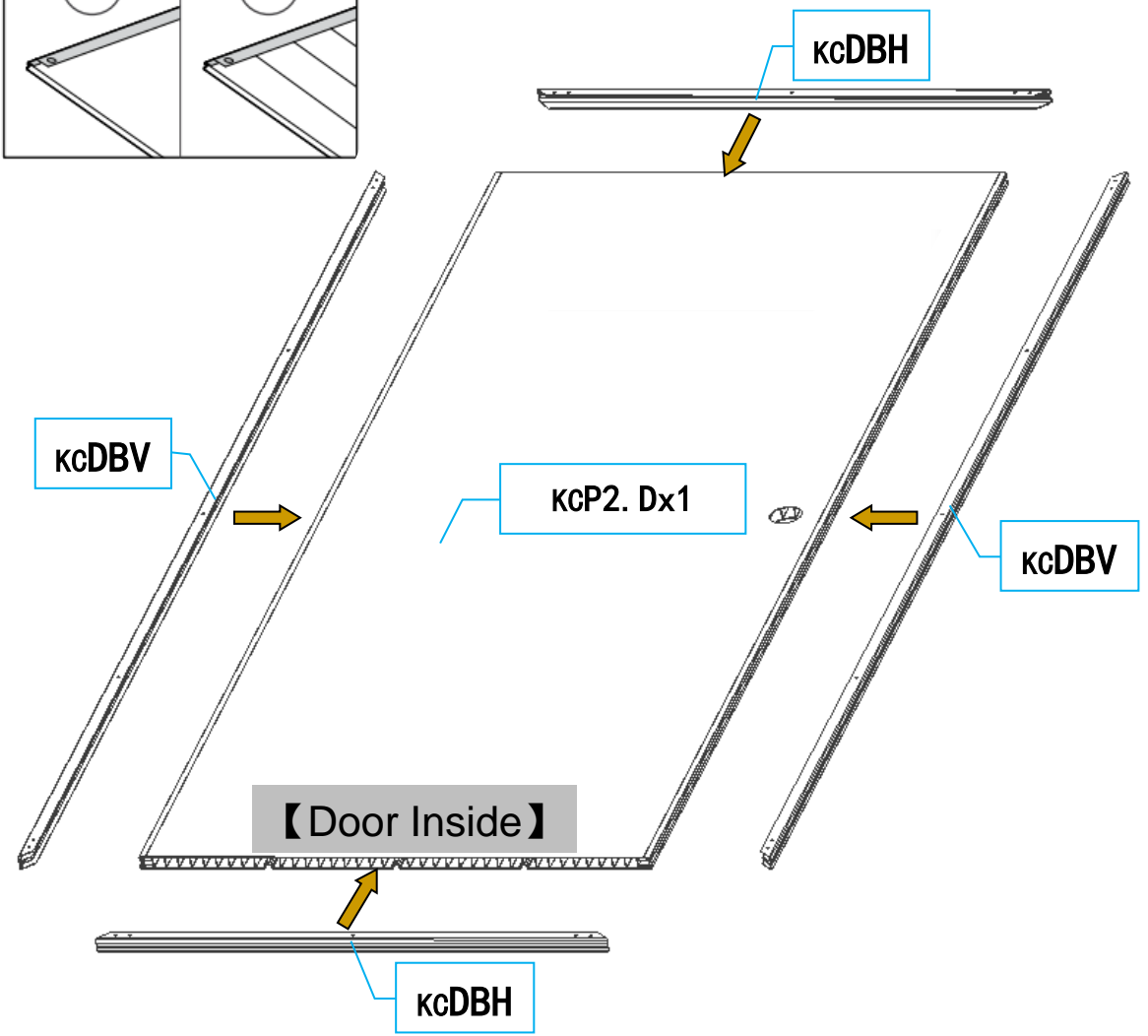
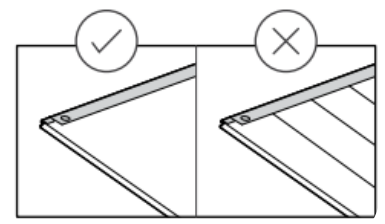


ST3.9x12 x8



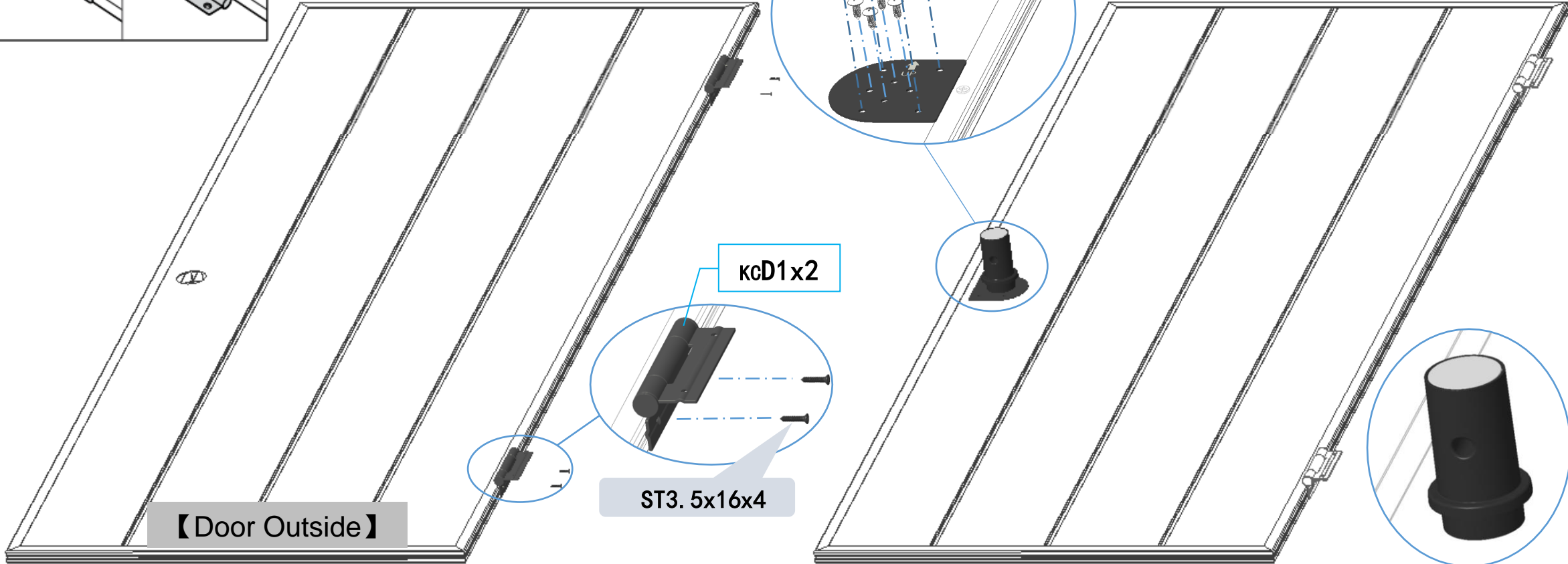
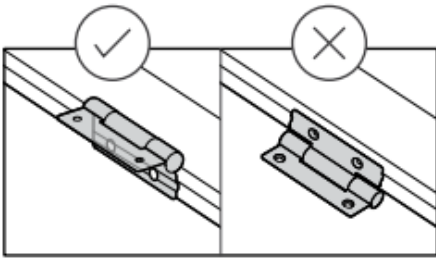
III. Installation guide (Right Door)

RIGHT DOOR INSTALLATION



III. Installation guide (Right Door)

RIGHT DOOR INSTALLATION



【KC D1x2】

【Door Outside】

Door Inside

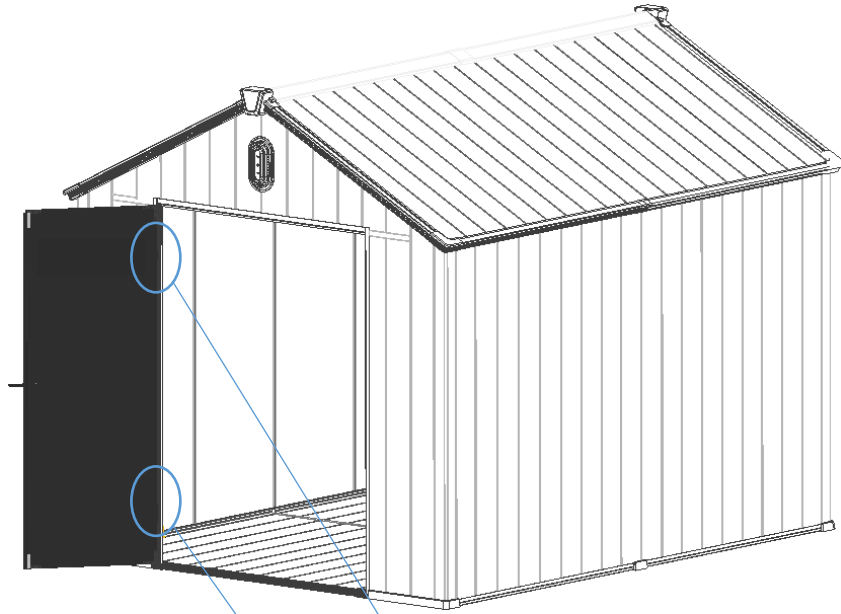
ST3. 9x12x8

KC D1x2

ST3. 5x16x4

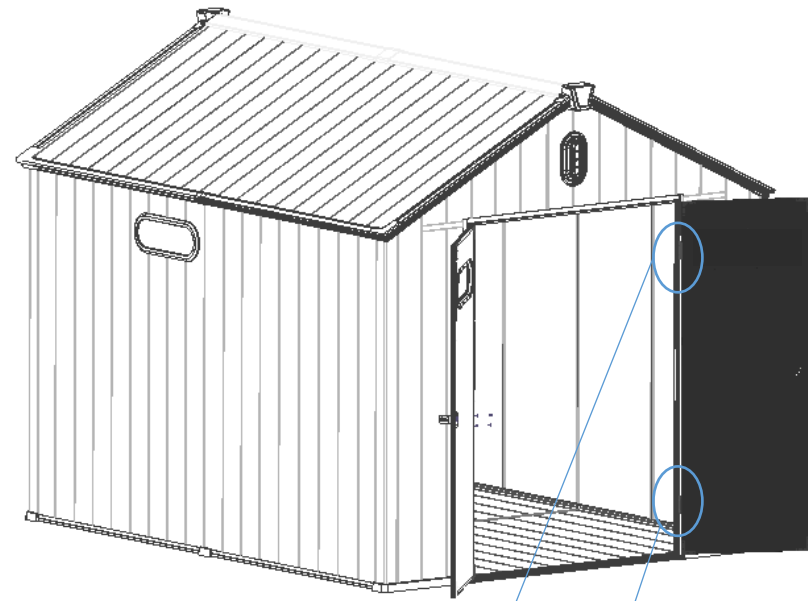
Ⅲ. Installation guide (Door)

DOOR INSTALLATION



ST3. 5x16x4

【KCD1 x2】



ST3. 5x16x4

【KCD1 x2】

III. Installation guide (Anchor bolts)

ANCHOR BOLTS

